



MODEL NOS.  
**T8510**  
**ADVANTAGE**  
**QUICK SERVE 1**  
**TABLE TENNIS TABLE**

## **OWNER'S MANUAL**

- 1. Read this manual carefully before starting assembly.** Read each step completely before beginning each step.
- 2. Some smaller parts may be shipped inside larger parts. Check inside all parts and cartons before assembling or ordering parts.**
- 3. To make assembly easier, use the Hardware Identifier on page 5 to identify and sort all fasteners. Check all cartons for kits. All hardware may not be located in one kit.**
- 4. Do not tighten hardware until instructed to do so.** If hardware is tightened too soon, mounting holes may not align and parts may not easily fit together. Leave locknuts slightly loose until you are instructed to tighten them.
- 5. Tools required for assembly:** Phillips screwdriver, 3/8" wrench and two 7/16" wrenches (adjustable wrenches may be substituted for the wrenches).

### **Please Do Not Return This Product To The Store!**

Contact Escalade® Sports customer service department at:

Phone: 1-866-873-3528 Toll – Free !

Fax: 1-866-873-3533 Toll – Free !

E-mail: [tabletennis@escaladesports.com](mailto:tabletennis@escaladesports.com)

Mailing Address (correspondence only):

Escalade Sports  
PO Box 889  
Evansville, IN 47706

Please visit our World Wide Web site at: [www.escaladesports.com](http://www.escaladesports.com)

ON-LINE TROUBLE SHOOTING

TECHNICAL ASSISTANCE

ON-LINE PARTS REQUESTS

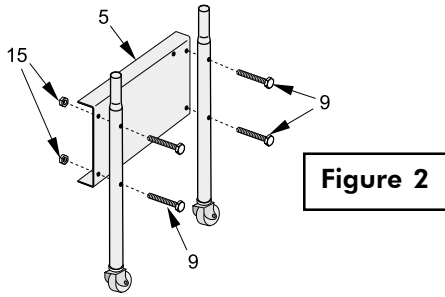
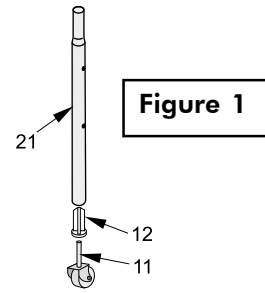
FREQUENTLY ASKED QUESTIONS

ADDITIONAL ESCALADE® SPORTS PRODUCT INFORMATION

**ESCALADE**®  
SPORTS

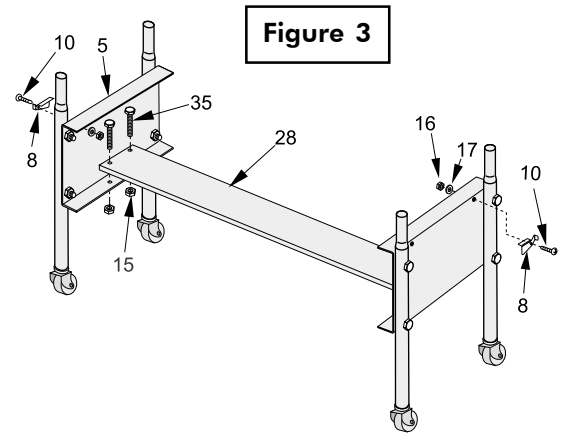
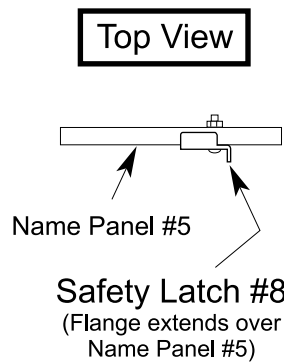
2L-6818-00

1. Gently tap a caster socket #12 into each Upright Tube #21 until flange on sockets touches the edge of the tube. **DO NOT HIT CASTER SOCKET TOO HARD WITH A HAMMER!** Sockets may break if hit too hard.
2. Insert casters #11 into caster sockets #12.



3. Attach two Upright Tube Assemblies to both Name Plates #5, as shown in Figure 2, using four bolts #9 and four nuts #15.

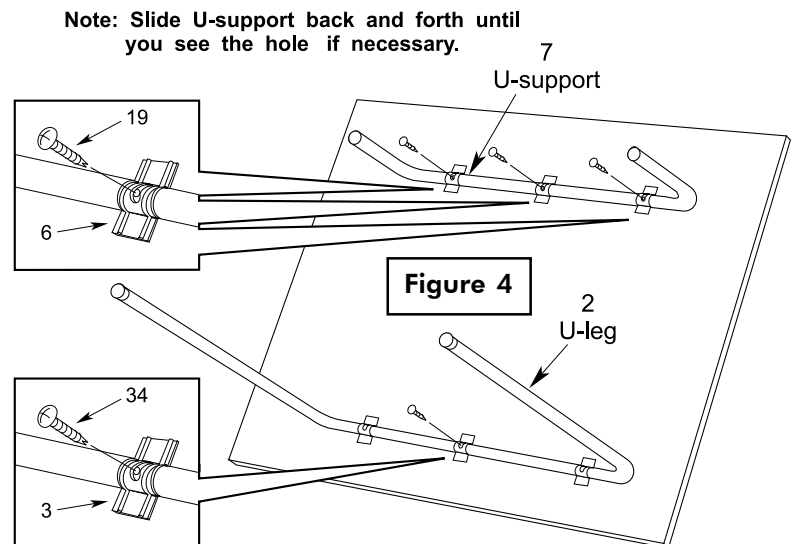
4. Connect the two Name Plate Assemblies to the Bottom Board #28, as shown in Figure 3, using four bolts #35 and four nuts #15.
5. Install a safety latch #8 into the right-hand hole on each name panel as shown in Figure 3. Use one screw #10 one washer #17 and one hex nut #16. **NOTE: Flange on safety latch must extend over top of name panel as shown in Figure 3. Safety latch must pivot freely.**



## CAUTION:

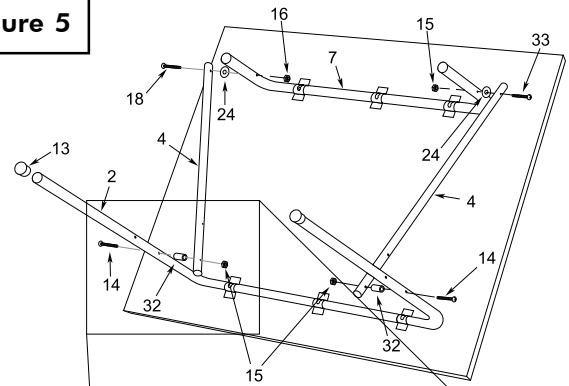
**INSTALL SAFETY LATCHES #8 AS SHOWN ABOVE FOR PROPER USE OF TABLE! DO NOT SKIP THIS STEP! DO NOT OPERATE TABLE UNTIL SAFETY LATCHES ARE INSTALLED AND ASSEMBLY IS COMPLETE!**

6. Rotate U-support #7 until you see the screw holes in the slots of the three U-clips #6. Slide U-support #7 side to side if necessary. See Figure 4.
7. Rotate U-leg #2 until you see the screw hole in the slot of center U-clip #3. Slide U-leg #2 side to side if necessary. See Figure 4.
8. Insert screw #19 through slot in U-clip #6 and into U-support #7. Thread it all the way into U-support #7 until it touches the back of the tube. There should be about 3/8 inch of screw #19 left sticking out.
9. Insert screw #34 through slot in U-clip #3 and into U-leg #2. Thread it all the way into U-leg #2 until it touches the back of the tube. There should be about 3/8 inch of screw #34 left sticking out.

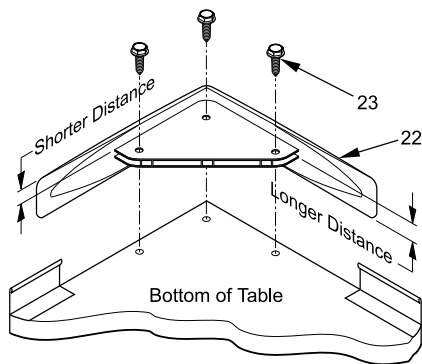
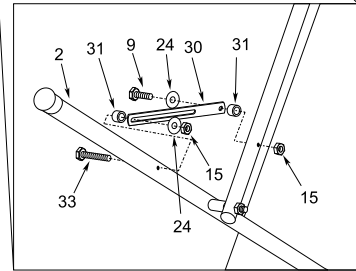


10. Lay table top #1 painted side down, on a smooth, flat surface. Use the shipping container to protect the painted surface of the table top.
11. Attach end of linkages #4 with two holes to **INSIDE** of U-leg #2 as shown in Figure 5. Secure with bolts #14, locknuts #15 and plastic spacers #32. Tighten hardware snug enough to keep table stable but do not overtighten. Tubes must pivot freely. **NOTE:** Plastic spacers go between linkages #4 and U-leg #2.
12. Attach other end of linkages #4 to **OUTSIDE** of U-support #7 with bolts #33, locknuts #15 and plastic washers #24. Tighten hardware until snug but do not overtighten. Tubes must pivot freely.
13. Install leg cap #13 onto end of U-legs #2.
14. On one side of the table attach slotted end of safety strap #30 to **INSIDE** of U-Leg #2 using one bolt #33, one spacer #31, one washer #24, and one hex nut #15. Tighten hardware until snug but do not overtighten. Tubes must pivot freely. See Figure 6.

**Figure 5**



**Figure 6**

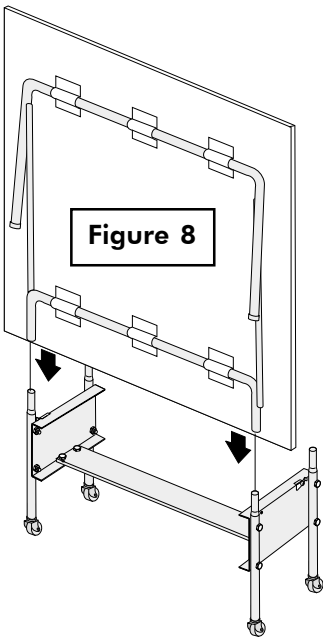


**Figure 7**

15. Attach other end of safety strap #30 to **OUTSIDE** of linkage #4 using one bolt #9, one washer #24, one spacer #31, and one hex nut #15.
16. Attach two Corner Caps #22 to bottom of table, as shown in Figure 7, using three screws #23 per Corner Cap.
17. Prepare an area for the assembly of the second table top half. If necessary, move the first table top half aside with the aid of a helper. Be sure to place it in a location where it won't be disturbed or damaged. If setting on its side, be sure to place the bottom edge no less than 12 inches away from the wall. Also be sure to place carpet or pieces of the shipping carton down to protect table top edges. If floor is not carpeted, brace table top half with a heavy object to keep it from sliding.
18. Repeat steps 6 thru 16 on second table half.

**Important! Do NOT put other safety strap #6 on this table half. It will be installed on other table half later.**

15. Attach other end of safety strap #30 to **OUTSIDE** of linkage #4 using one bolt #9, one washer #24, one spacer #31, and one hex nut #15.
16. Attach two Corner Caps #22 to bottom of table, as shown in Figure 7, using three screws #23 per Corner Cap.



**Figure 8**

**⚠ WARNING:**  
**AT LEAST TWO (2) ADULTS ARE NEEDED TO COMPLETE THE REST OF THIS ASSEMBLY! WHEN ASSEMBLING TOPS TO BASE, HANDLE TOP ASSEMBLIES BY GRASPING ONLY THE TOPS THEMSELVES. DO NOT GRASP METAL LEGS, U-SUPPORT, LINKAGE, OR HINGES. THESE PARTS CAN MOVE AND COULD PINCH FINGERS OR HANDS CAUSING SERIOUS INJURY! ASSEMBLE AS SHOWN WITH LEGS FULLY CLOSED AND TOPS IN A VERTICAL POSITION. DO NOT OPEN LEGS AND TRY TO ASSEMBLE. TABLE TOPS ARE HEAVY - DO NOT ATTEMPT TO ASSEMBLE ALONE!**

19. With two adults, attach table top (#1) to table base, as shown in Figure 8. With at least one adult on each side of table top, lift top and align ends of "U"-support tube with top of upright tubes. Slide tubes together.
20. With two adults, put other table top onto other pivot tubes following instructions in previous step.

**⚠ WARNING:**  
**DO NOT OPEN THE TABLE TO PLAYING POSITION UNTIL BOTH TOPS ARE INSTALLED! DO NOT LEAVE TABLE STANDING UNATTENDED. IT COULD BE KNOCKED OVER CAUSING SERIOUS BODILY INJURY OR PROPERTY DAMAGE.**

# OPENING AND CLOSING INSTRUCTIONS

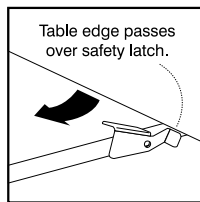
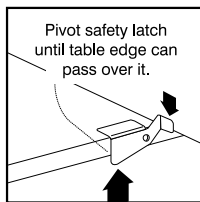
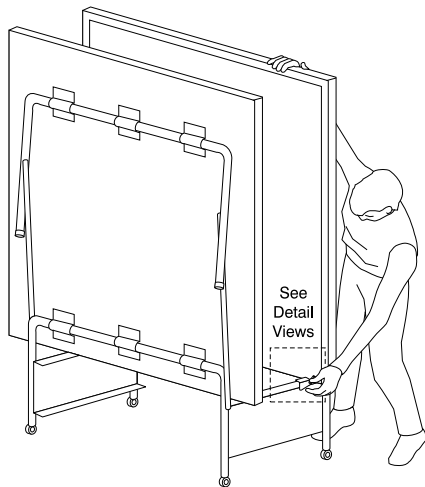


## CAUTION:

READ OPERATING INSTRUCTIONS CAREFULLY BEFORE OPERATING TABLE! DO NOT ALLOW CHILDREN TO OPEN TABLE! DO NOT CLIMB, STAND OR JUMP ON TABLE! SERIOUS OR FATAL INJURY MAY RESULT! THIS IS NOT A TOY! TABLE IS TO BE OPENED OR CLOSED BY ADULTS ONLY! FAILURE TO COMPLY WITH OPENING AND CLOSING INSTRUCTIONS COULD RESULT IN PERSONAL INJURY OR PROPERTY DAMAGE.

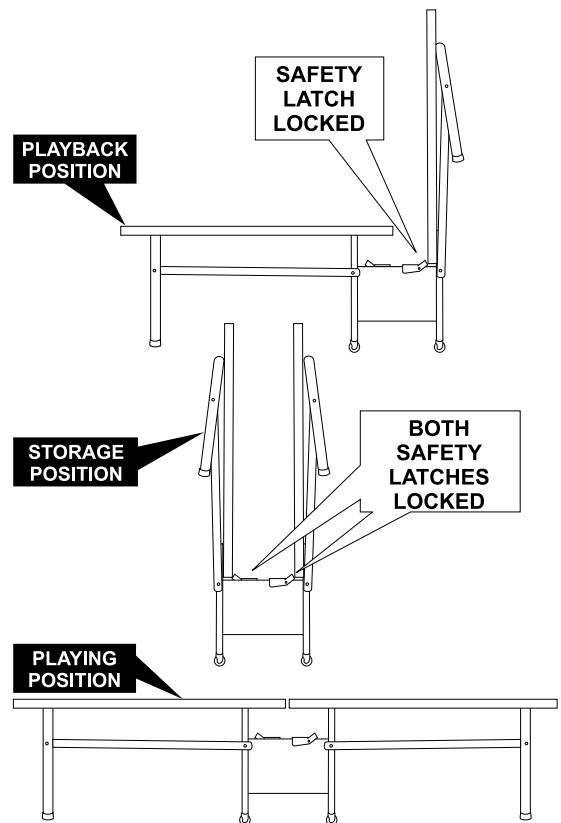
### TO OPEN:

1. Stand behind the table near the safety latch.
2. Hold table half with one hand and pivot safety latch enough to allow the edge of the table half to pass over it.
3. While keeping an eye on the safety latch, pivot table half until it moves past the safety latch. Once edge of table has passed over safety latch, stop pivoting table half.
4. With both hands on the table half, center yourself along the table half and lower the table half to the floor.
5. Repeat for the other table half.



### TO CLOSE:

1. Remove net posts from table.
2. Lift table half upward and inward to vertical position.
3. Check to be sure that table half is locked in the safety latch.
4. Repeat for the other table half.



## WARNING!

DO NOT LIFT TABLE BY THE TABLE TOPS! TABLE IS NOT FASTENED TO BASE AND CAN COME LOOSE, CAUSING PERSONAL INJURY OR PROPERTY DAMAGE!

IF TRANSPORTATION OTHER THAN ROLLING IS NECESSARY, WITH AT LEAST **THREE ADULTS** DISASSEMBLE TABLE. ONE ON EACH END OF ONE TABLE HALF TO LIFT IT UP AND ONE TO HOLD OTHER TABLE HALF SO TABLE DOES NOT TIP OVER. THEN REMOVE OTHER TABLE HALF. MOVE UNIT IN THREE OR FOUR PIECES AND REASSEMBLE. DO NOT LEAVE TABLE WITH ONE TABLE HALF INSTALLED UNATTENDED.

# CARE AND MAINTENANCE

You have purchased a quality product that will give you years of enjoyment. By following these simple maintenance steps, you will add to the life of your new table.

## THE TABLE TOP

The top (playing surface) of your table is made of particle board. Like all products made of wood, it can be affected by atmospheric changes in both temperature and humidity. This may cause a slight sag or distortion as the top expands or contracts. This is normal and should not cause concern as it does not detract from the play or utility value of the table. After assembly of the table, you can minimize the effects of temperature and humidity changes by storing the table in the folded up position in a dry area when table is not in use.

## STORAGE OF YOUR TABLE

This table must be stored indoors to prevent damage to the playing surface. Dampness and extreme temperature changes can cause the wood to warp, swell, crack or blister. When your table is not in use, it should be folded up in a dry area. Due to the nature of particle board, table top may bow. Damp and humid conditions will amplify this. This is normal and will not affect playability of table.

## CLEANING YOUR TABLE

To clean your table use a soft, damp (NOT WET) cloth only. To prevent damage to your table's playing surface, DO NOT USE ANY CHEMICALS, ABRASIVE OR CLEANING PRODUCTS on your table's playing surface.

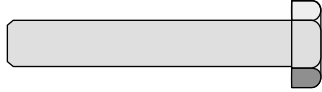
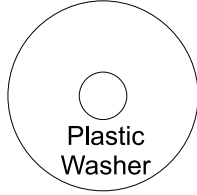
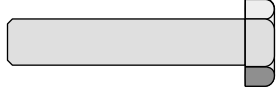
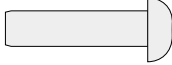


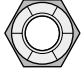
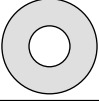
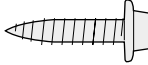




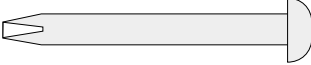
## MAINTENANCE OF YOUR TABLE

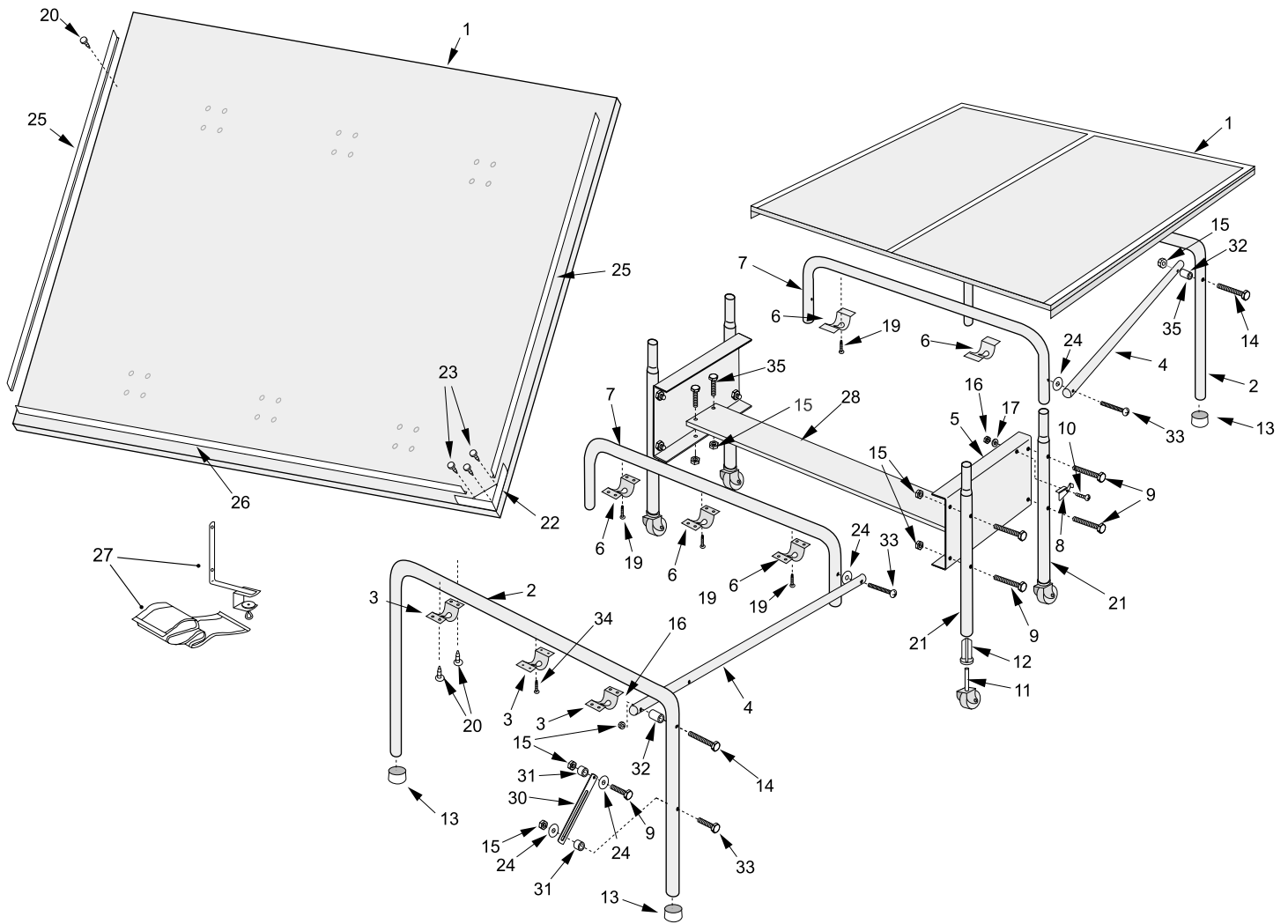
Be sure to oil all moving parts of your table including the pivot points. This will insure the safety and ease of use of your table.

This table must be kept indoors to prevent damage to the playing surface. Dampness and extreme temperature changes which occur on patios or similar areas can cause wood to warp, swell, crack or blister.

## UNEVEL FLOORS

If table does not seem level, it is probably due to uneven or unlevel floors. Set the table in its PLAYING POSITION and move table several inches in different directions to find the best location for the table. If the floor is extremely unlevel, table may not play or operate properly. If table is high in the center, shim up under the outer U-legs.

KEY NO.		HARDWARE IDENTIFIER							
9	1/4-20 x 1-1/2 Hex Hd. Bolt		24		35				
10	#10-24 x 3/4 Rd. Hd. Screw								
14	1/4-20 x 3 Hex Hd. Bolt								
15	1/4-20 Locknut		16	#10-24 Locknut					
17	3/16 S.A.E. Washer		23	#8 X 5/8 Sheet Metal Screw		31		32	
19	#8-32 x 1-1/4 S.M.S.					33	1/4-20 x 2 Hex Hd. Bolt		
						34	#8-32 x 1-1/2 S.M.S.		



## PRODUCT PARTS LIST T8510

Key #	Part#	Description	Qty.	Key #	Part#	Description	Qty.
1	4A-6504-00	1/2" Board	2	20	1B-6451-00	#8 x 7/16 Sheet Metal Screw	84
2	8S-6636-02	U-leg	2	21	8S-6576-03	Upright Tube	4
3	2S-6319-03	1-1/4 U-Clip	6	22	3M-6494-00	Corner Cap	4
4	8S-6635-02	Linkage	4	23	1B-6449-00	#8 x 5/8 Sheet Metal Screw	12
5	2S-6422-02	Name Panel	2	24	2B-6087-00	Plastic Washer	8
6	2S-6387-02	U-clip	6	25	2S-6384-00	Side Rail	4
7	8S-6637-01	U-support	2	26	2S-6385-00	End Rail	2
8	2S-6264-03	Safety Latch	2	27	5A-6700-00	Net and Post Kit	1
9	701-47	1/4-20 x 1 1/2 Hex Head Bolt	10	28	2W-6269-02	Bottom Board	1
10	801-120B	#10-24 x 3/4 Phil Rnd Hd Scr	2	30	2S-6428-01	Safety Strap	2
11	2Q-6084-00	Caster	4	31	7B-6257-00	5/16" Spacer	4
12	3M-6115-00	Caster Socket	4	32	7B-6256-00	3/4" Spacer	4
13	3M-6447-00	Leg Cap	4	33	701-82	1/4-20 x 2 Hex Head Bolt	6
14	701-166	1/4-20 x 3 Hex Head Bolt	4	34	1B-6452-00	#8-32 x 1 1/2 Self Tapping Screw	2
15	701-26	1/4-20 Locknut	24	35	1B-6475-00	1/4-20 x 1 1/4- Hex Head Bolt	4
16	601-80B	#10-24 Locknut	2	36	2L-6818-00	Owner's Manual	1
17	701-1B	3/16" Flatwasher	2	37	3M-6495-00	Paddle/Ball Pouch	1
19	701-141	#8-32 x 1 1/4 Self Tapping Screw	6				

### 90 DAY LIMITED WARRANTY

This consumer warranty extends to the original consumer purchase of any ESCALADE® SPORTS Product (hereinafter referred as the "Product").

**WARRANTY DURATION:** This Product is warranted to the original consumer purchase of a period of ninety (90) days from the original purchase.

**WARRANTY COVERAGE:** ESCALADE SPORTS warrants to the original Consumer Purchaser that any Product of its manufacture is free from defects in material and workmanship when used for the intended purpose under normal use and conditions. THIS WARRANTY IS VOID IF THE PRODUCT HAS BEEN DAMAGED BY ACCIDENT, UNREASONABLE USE, NEGLIGENCE, IMPROPER SERVICE, FAILURE TO FOLLOW INSTRUCTIONS PROVIDED WITH THE PRODUCT OR OTHER CAUSES NOT ARISING OUT OF DEFECTS IN MATERIAL AND WORKMANSHIP.

**WARRANTY PERFORMANCE:** During the above ninety (90) day warranty period, ESCALADE SPORTS shall repair or replace with a comparable model, and Product, or component thereof, which may prove defective under normal use and proper care, and which our examination shall disclose to our satisfaction to be thus defective, please contact our Warranty Dept.

1-800-426-1421 / Warranty Dept.

Or Write us at:

Escalade® Sports, Inc. - P.O. Box 889, Evansville, IN 47706 - Attn: Warranty Dept.

Or E-mail us at:

customerservice@escaladesports.com

Other than shipping requirements no charge will be made for such repair or replacement of in-warranty Products. ESCALADE® SPORTS strongly recommends that the Product is insured for value prior to mailing.

**WARRANTY DISCLAIMERS:** ANY IMPLIED WARRANTIES ARISING OUT OF THIS SALE, INCLUDING BUT NOT LIMITED TO THE IMPLIED WARRANTIES OF MERCHANTABILITY AND FITNESS FOR A PARTICULAR PURPOSE, ARE LIMITED IN DURATION TO THE ABOVE NINETY (90) DAY WARRANTY PERIOD. ESCALADE® SPORTS SHALL NOT BE LIABLE FOR LOSS OF USE OF THE PRODUCT OR OTHER CONSEQUENTIAL OR INCIDENTAL COSTS, EXPENSES OR DAMAGES INCURRED BY THE CONSUMER OF ANY OTHER USE.

Some states do not allow the exclusion or limitation of implied warranties or consequential or incidental damages, so the above limitations or exclusions may not apply to you.

**LEGAL REMEDIES:** This warranty gives you specific legal rights and you may also have other rights which may vary from state to state.