

OWNER'S MANUAL

MODEL NOS.
T8269
T8169

WARRANTY

Actual product may differ slightly from that shown in illustrations.

READ ASSEMBLY & OPERATING INSTRUCTIONS AND ALL SAFETY INFORMATION CAREFULLY!

FOLD AND ROLL PLAYBACK TABLE TENNIS TABLE

Thank you for buying our product. We try hard to ensure that our products are of high quality and free of problems, such as manufacturing defects or missing parts. However, if you have any problems with your new product, please **DO NOT RETURN IT TO THE STORE!**

DO NOT RETURN THIS PRODUCT TO THE STORE!

Call us at:

TOLL FREE 1-866-873-3528
(THIS IS A CONSUMER ONLY NUMBER)
Please have this Owner's Manual with you when you call.

Or write us at: CUSTOMER SERVICE DEPT., P.O. Box 889, Evansville, IN 47706
Fax Number: (812) 467-1399.

Or E-mail us at: customerservice@escaladesports.com

Please provide model number and/or part number (not just the key number) of the product and/or part when you call or write. These numbers can be found on the product, packaging, and/or in this Owner's Manual.

LIMITED 1 YEAR WARRANTY

Manufacturer warrants to the original retail purchaser, this product to be free from defects in material and workmanship for a period of one (1) year from the date of purchase.

Should this product become defective due to material or workmanship within the warranty period, contact our Customer Service Department for repair or replacement at our option.

This warranty is not transferable and does not cover normal wear and tear, bowing of the table or damage caused by improper handling, installation or use of this product. This warranty is also void if product is in any way abused, damaged, or modified from its original state, or if used for other than residential use.

This warranty gives you specific legal rights, and you may have other rights which vary from state to state.

CAUTION

THIS IS A GAME TABLE. DO NOT SIT, STAND, LEAN, WALK OR JUMP ON TABLE! FAILURE TO COMPLY WITH THIS CAUTION COULD RESULT IN PERSONAL INJURY AND/OR PROPERTY DAMAGE!

This table must be kept indoors to prevent damage to the playing surface. Dampness and extreme temperature changes which occur on patios, garages or similar areas can cause wood to warp, swell, crack, or blister.

UNLEVEL FLOORS

If table does not seem level, it is probably because floor is not level. Move table several inches (set table in playing position) in different directions to find the best location for the table. If the floor is extremely unlevel, table may not play or operate properly. If table is high in the center, shim up under the outer legs.

CARE AND MAINTENANCE

You have purchased a quality product that will give you years of enjoyment. By following these simple maintenance steps you will add to the life of your new table. The top (playing surface) of your table is of a particle board construction. Like all products made of wood, it can be affected by atmospheric conditions, meaning both temperature and humidity. This may cause a slight sag or distortion as top expands or contracts. This is normal and should not cause concern as it does not detract from the play or utility value of the table. To help minimize this problem, **store table in folded up position in a dry area when not in use.**

STORAGE OF YOUR TABLE

This table must be stored indoors to prevent damage to the playing surface. Dampness and extreme temperature changes which occur on patios, garages or similar areas can cause the wood to warp, swell, crack, or blister. When your table is not in use, it should be folded up in a dry area.

CLEANING YOUR TABLE

To clean your table use a soft damp **NOT WET** cloth only. To prevent damage to your table's playing surface **DO NOT** use any chemicals, abrasive, or cleaning products on your table's playing surface.

IMPORTANT: Periodically, lubricate all moving parts, including pivot points, to assure smooth opening and closing. A light lubricant such as WD-40 is recommended.

⚠ WARNING:

READ AND FOLLOW ALL ASSEMBLY, OPERATING, AND SAFETY INSTRUCTIONS CAREFULLY. AT LEAST TWO (2) ADULTS ARE NEEDED TO PUT THIS TABLE TOGETHER!

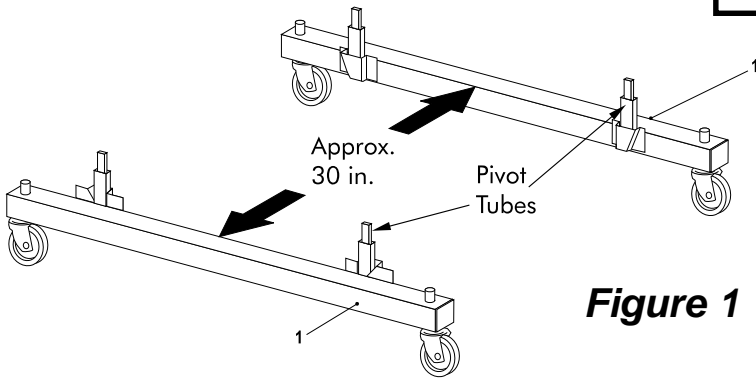
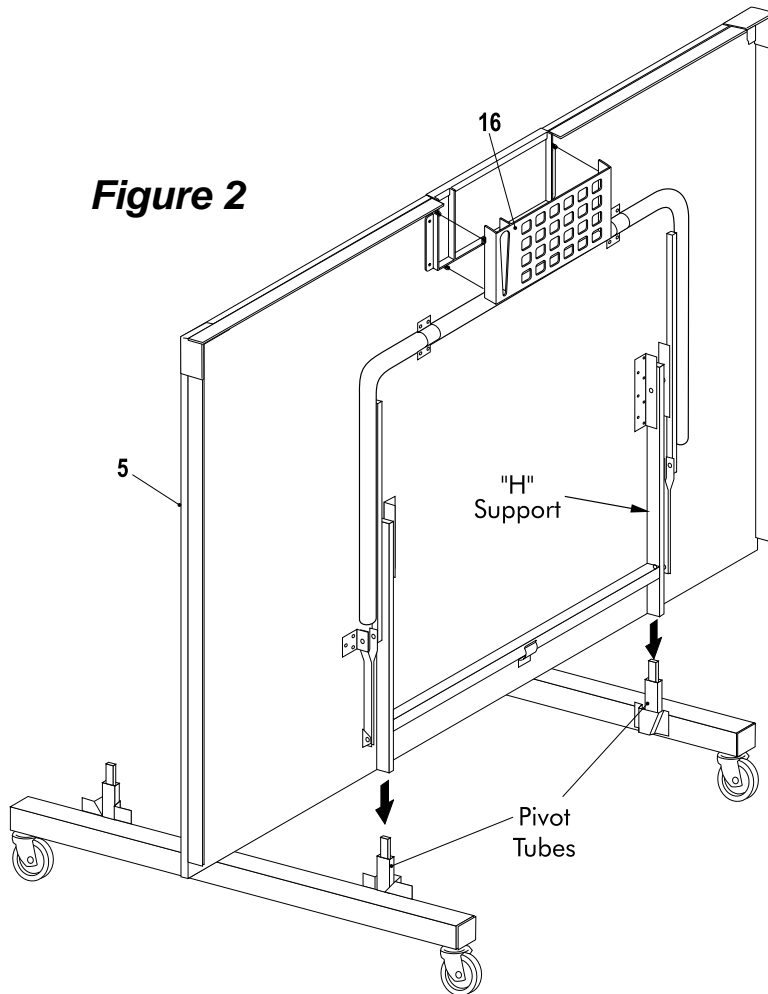


Figure 1

1. Position caster rails (#1) on the floor as shown approximately 30 inches apart.

Figure 2



⚠ WARNING:

AT LEAST TWO (2) ADULTS ARE NEEDED TO COMPLETE THE REST OF THIS ASSEMBLY!

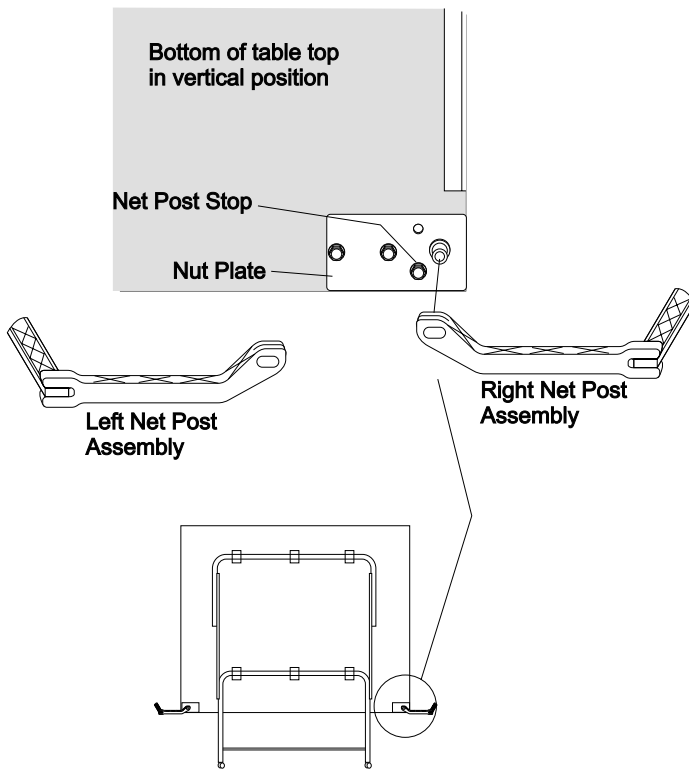
2. With another adult holding table top (#5) upright, attach ends of "H"-support tube with top of pivot tubes on caster rails (#1). Slide tubes together.
3. Repeat this process for the other caster rail. Then slide second table top down over remaining two pivot tubes, making sure the playing surface of the second top faces the playing surface of the first.
4. Snap Paddle Box Bottoms (#16) onto Paddle Box Tops on bottom of table tops (#5).

⚠ WARNING:

DO NOT OPEN THE TABLE TO PLAYING POSITION UNTIL BOTH TOPS ARE INSTALLED! DO NOT LEAVE TABLE STANDING UNATTENDED. IT COULD BE KNOCKED OVER CAUSING SERIOUS BODILY INJURY OR PROPERTY DAMAGE.

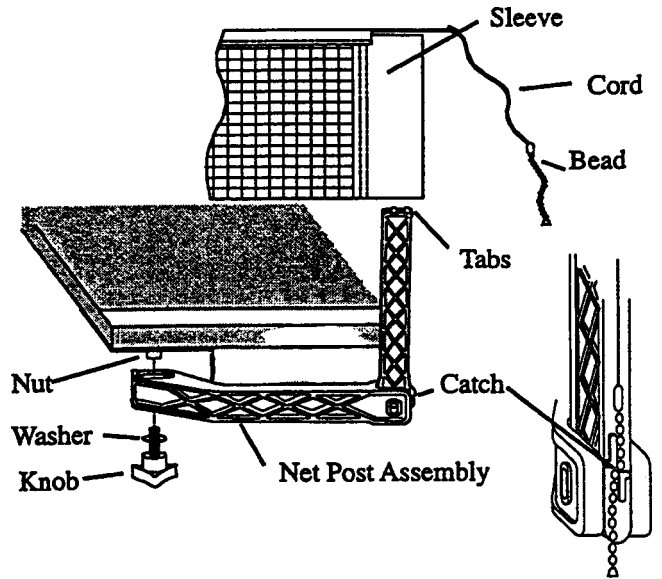
NET ASSEMBLY

Net System Description



1. Net Post Assembly

Attach plastic net post as shown with washer and knob. Note: there is a left and right net post assembly (See Net System Description). Post assembly should rest flat against nut plate. Slide the net sleeve over the vertical post while the net post assembly is folded in toward the side of the table top. Fold the net post assembly out against the net post stop into the post and secure bead chain in catch.

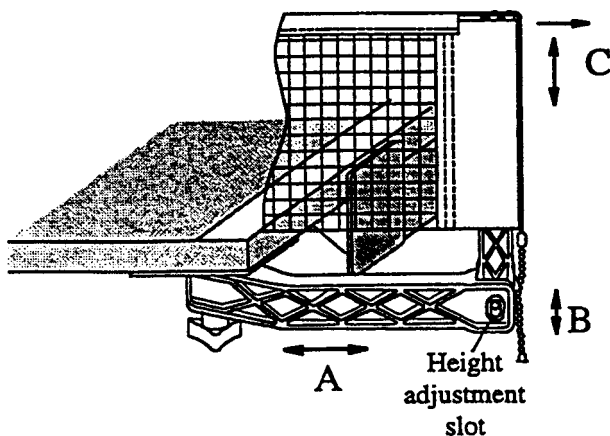


2. Adjustments

A - Adjust overall net tension by slightly loosening the knob and moving net post assembly. Moderately tighten knob. Net post assembly should be kept square with the table by the net post stop (See Net System Description).

B - Adjust tension of cord with bead chain on each side. Assure that chain is fully seated in catch.

C - Position top of net to a regulation height of 6" from the table surface by firmly gripping the vertical net post within height adjustment slot.

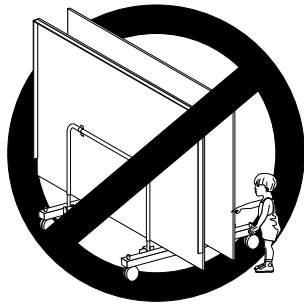


3. Storage

Caution: To prevent damage to the net system and/or table top, the post assembly must be pivoted toward side of table before lifting table tops to storage position.

Loosen knob and pivot net post toward table side as far as it will go. Retighten Knob.

OPENING AND CLOSING INSTRUCTIONS



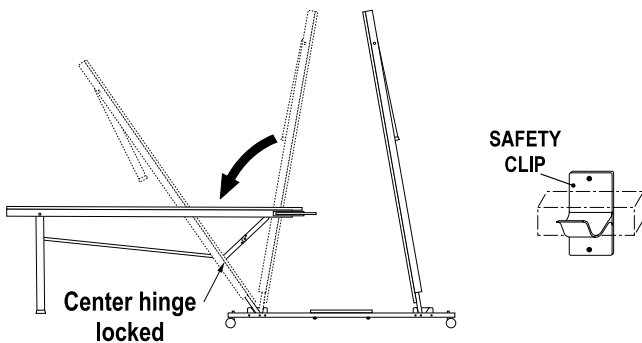
⚠ CAUTION:

EXERCISE CAUTION IN OPENING/CLOSING TABLE. SMALL CHILDREN, OR CHILDREN NOT PROPERLY INSTRUCTED IN ITS USE, MUST NOT BE ALLOWED TO OPEN/CLOSE TABLE. IMPROPER HANDLING AND MISUSE CAN RESULT IN SERIOUS INJURY OR DAMAGE. DO NOT CLIMB, STAND, OR JUMP ON TABLE. MOISTURE AND CONDENSATION WILL DAMAGE PLAYING SURFACE OF THIS TABLE. STORE IN DRY, INDOOR PLACE.

TO OPEN:

1. Hold center of top edge of table top with both hands. Gently pull outward to midway position. Continue to pull until disengaged from safety clips and legs rest on the floor. Do not leave table partially opened at midway position. See Figure 3.

CAUTION! Do NOT touch any parts on bottom of table while opening and closing.



PLAYBACK POSITION

Figure 3

2. Open other table half as in step 1 and 2.
3. Lock all four center hinges. See Figure 4.

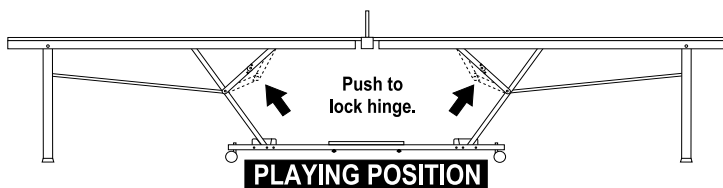
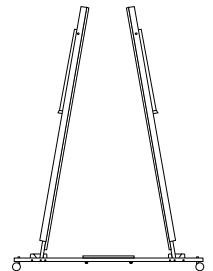


Figure 4

TO CLOSE:

1. Remove net and net posts from table.
2. Unlock all four hinges.
3. Lift table half to midpoint until the safety clips are engaged. Then continue lifting until closed.
4. Raise other table half in the same manner.



STORAGE POSITION

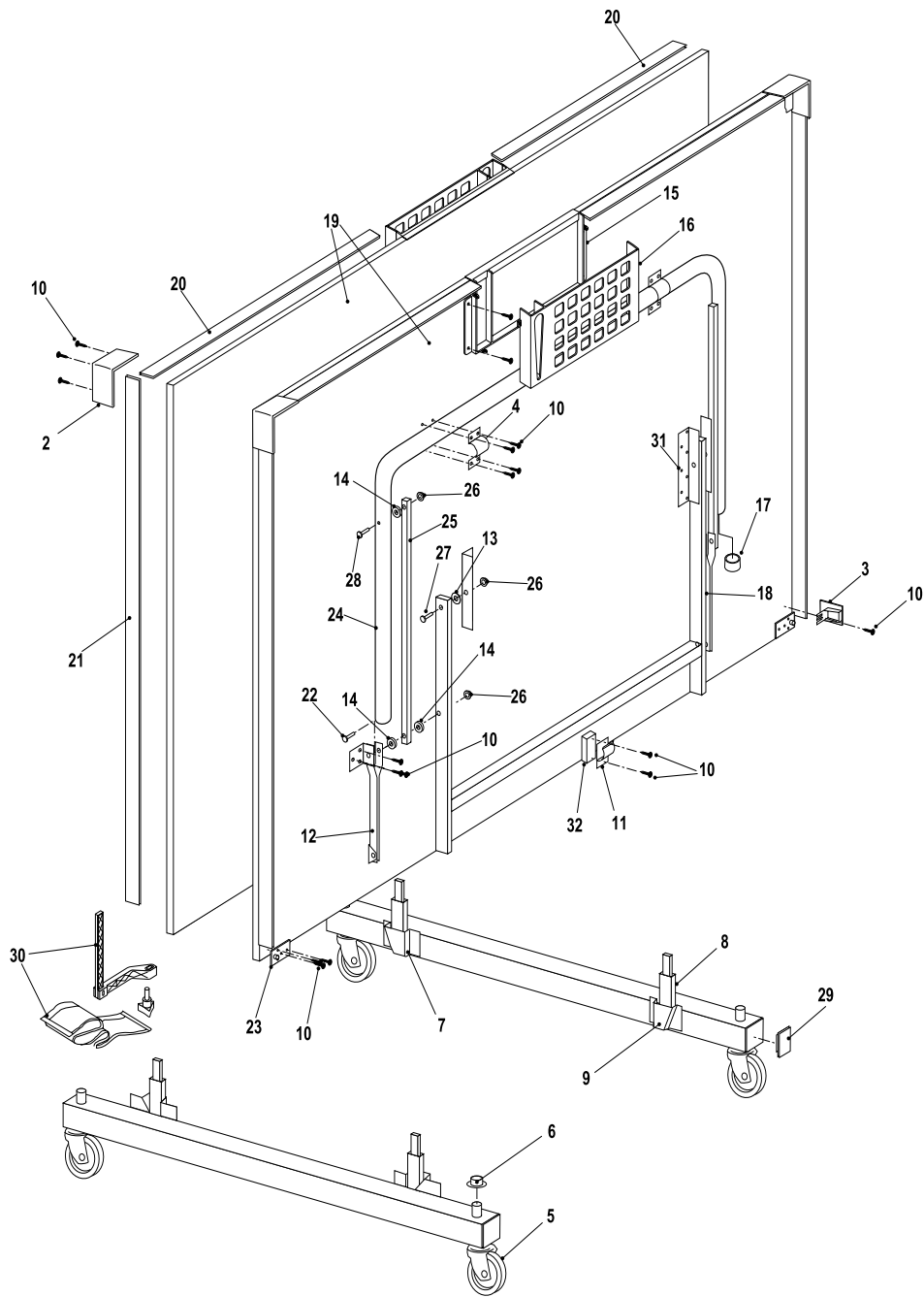
Figure 5

⚠ WARNING!

DO NOT LIFT TABLE BY THE TABLE TOPS! TABLE IS NOT FASTENED TO BASE AND CAN COME LOOSE, CAUSING PERSONAL INJURY OR PROPERTY DAMAGE!

IF TRANSPORTATION OTHER THAN ROLLING IS NECESSARY, HAVE ONE ADULT ON EACH END OF ONE TABLE HALF LIFT IT UP, DISASSEMBLING IT FROM THE LOWER PART OF THE UNIT. THEN REMOVE OTHER TABLE HALF. MOVE UNIT IN THREE OR FOUR PIECES AND REASSEMBLE.





Replacement Parts List for Model Number T8269 & T8169

2L-6606-01

Key#	Part #	Description	Qty.
1	4A-6509-00	Caster Rail Assembly	2
	8S-4088-02	Caster Rail only	2
2	3M-6483-00	Corner Protector	4
3	3M-6484-00	SIDE CAP	4
4	2S-6381-01	1-1/2" U-Clip	4
5	2Q-6094-00	3" Caster	2
	2Q-6095-00	3" Caster with lock	2
6	601-84	3/8 Palnut	4
7	2S-4594-02	RH Pivot Bracket	2
8	8S-4075-03	Pivot Tube	4
9	2S-4595-02	LH Pivot Bracket	2
10	701-105	#8 x 9/16 SMS	140
11	3M-6273-00	Plastic Clip	2
12	1A-4064-00	Hinge / Bracket Assembly	4
13	2B-6106-00	Nylon Washer	4
14	7B-6254-00	Nylon Spacer - 3/8 Thick	12

Key#	Part #	Description	Qty.
15	3M-6500-00	Storage Tray Top	2
16	3M-6500-01	Storage Tray Bottom	2
17	504-13	Tube end cap	4
18	1A-4062-02	Strut Leg	2
19	4A-6508-00	Top	2
20	2S-6391-00	End Rail	4
21	2S-6375-00	Side Rail	4
22	3B-6006-00	1/4 X 1-7/8 Solid Rivet	4
23	1A-6285-00	Nut Plate	2
24	8S-6579-01	U-Leg	2
25	8S-4074-04	Linkage Tube	4
26	501-24	1/4 Palnut	12
27	3B-4010-00	1/4 X 1-3/16 Solid Rivet	4
28	3B-6016-00	1/4 X 2-3/16 Solid Rivet	4
29	3M-6274-00	Tube Plug	4
30	5A-6781-00	Net & Post Kit	1
31	2S-6139-01	Mounting Bracket	4
32	2M-6118-00	Spacer Block	2