

OWNER'S MANUAL

MODEL NOS.
T8210M

T8264M

WARRANTY

Actual product may differ slightly from that shown in illustrations.

READ ASSEMBLY & OPERATING INSTRUCTIONS AND ALL SAFETY INFORMATION CAREFULLY!

FOLD AND ROLL PLAYBACK TABLE TENNIS TABLE

Patent No. 5816957

Thank you for buying our product. We try hard to ensure that our products are of high quality and free of problems, such as manufacturing defects or missing parts. However, if you have any problems with your new product, please **DO NOT RETURN IT TO THE STORE!**

DO NOT RETURN THIS PRODUCT TO THE STORE!

Call us at:

TOLL FREE 1-800-426-1421
(THIS IS A CONSUMER ONLY NUMBER)
Please have this Owner's Manual with you when you call.

Or write us at: CUSTOMER SERVICE DEPT., P.O. Box 889, Evansville, IN 47706
Fax Number: (812) 467-1399.

Please provide model number and/or part number (not just the key number) of the product and/or part when you call or write. These numbers can be found on the product, packaging, and/or in this Owner's Manual.

LIMITED 1 YEAR WARRANTY

Manufacturer warrants to the original retail purchaser, this product to be free from defects in material and workmanship for a period of one (1) year from the date of purchase.

Should this product become defective due to material or workmanship within the warranty period, contact our Customer Service Department for repair or replacement at our option.

This warranty is not transferable and does not cover normal wear and tear, bowing of the table or damage caused by improper handling, installation or use of this product. This warranty is also void if product is in any way abused, damaged, or modified from its original state, or if used for other than residential use.

This warranty gives you specific legal rights, and you may have other rights which vary from state to state.

CAUTION

THIS IS A GAME TABLE. DO NOT SIT, STAND, LEAN, WALK OR JUMP ON TABLE! FAILURE TO COMPLY WITH THIS CAUTION COULD RESULT IN PERSONAL INJURY AND/OR PROPERTY DAMAGE!

UNLEVEL FLOORS

If table does not seem level, it is probably because floor is not level. Move table several inches (set table in playing position) in different directions to find the best location for the table. If the floor is extremely unlevel, table may not play or operate properly. If table is high in the center, shim up under the outer legs.

CARE AND MAINTENANCE

You have purchased a quality product that will give you years of enjoyment. By following these simple maintenance steps you will add to the life of your new table. The top (playing surface) of your table is of aluminum construction. It can be affected by atmospheric conditions, meaning both temperature and humidity. This may cause a slight sag or distortion as top expands or contracts. This is normal and should not cause concern as it does not detract from the play or utility value of the table.

STORAGE OF YOUR TABLE

Wind gusts can blow over or unexpectedly open the table; Store in protected area. When your table is not in use, it should be folded up in a dry area.

CLEANING YOUR TABLE

To clean your table use a soft damp **NOT WET** cloth only. To prevent damage to your table's playing surface **DO NOT** use any chemicals, abrasive, or cleaning products on your table's playing surface.

IMPORTANT: Periodically, lubricate all moving parts, including pivot points, to assure smooth opening and closing. A light lubricant such as WD-40 is recommended.

⚠ WARNING:

READ AND FOLLOW ALL ASSEMBLY, OPERATING, AND SAFETY INSTRUCTIONS CAREFULLY. AT LEAST TWO (2) ADULTS ARE NEEDED TO PUT THIS TABLE TOGETHER!

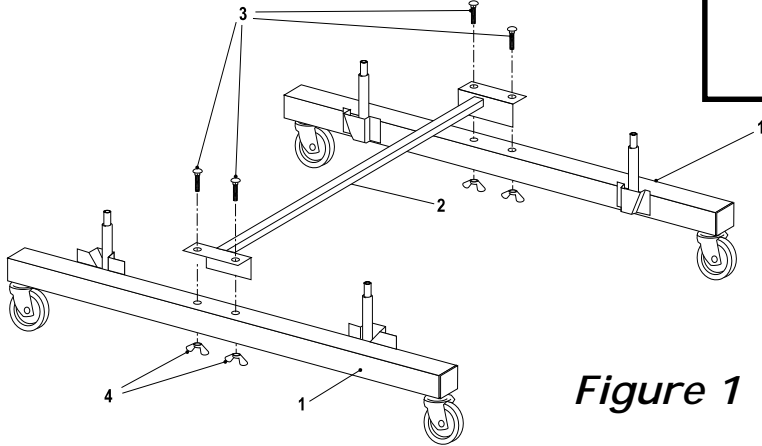


Figure 1

1. Attach cross tube (#2) to caster rails (#1) as shown in Figure 1. Turn caster rail as shown with pivot tubes toward inside, and attach tube (#2) with four carriage bolts (#3) and four wing nuts (#4). Tighten wing nuts securely.

⚠ WARNING:

AT LEAST TWO (2) ADULTS ARE NEEDED TO COMPLETE THE REST OF THIS ASSEMBLY!

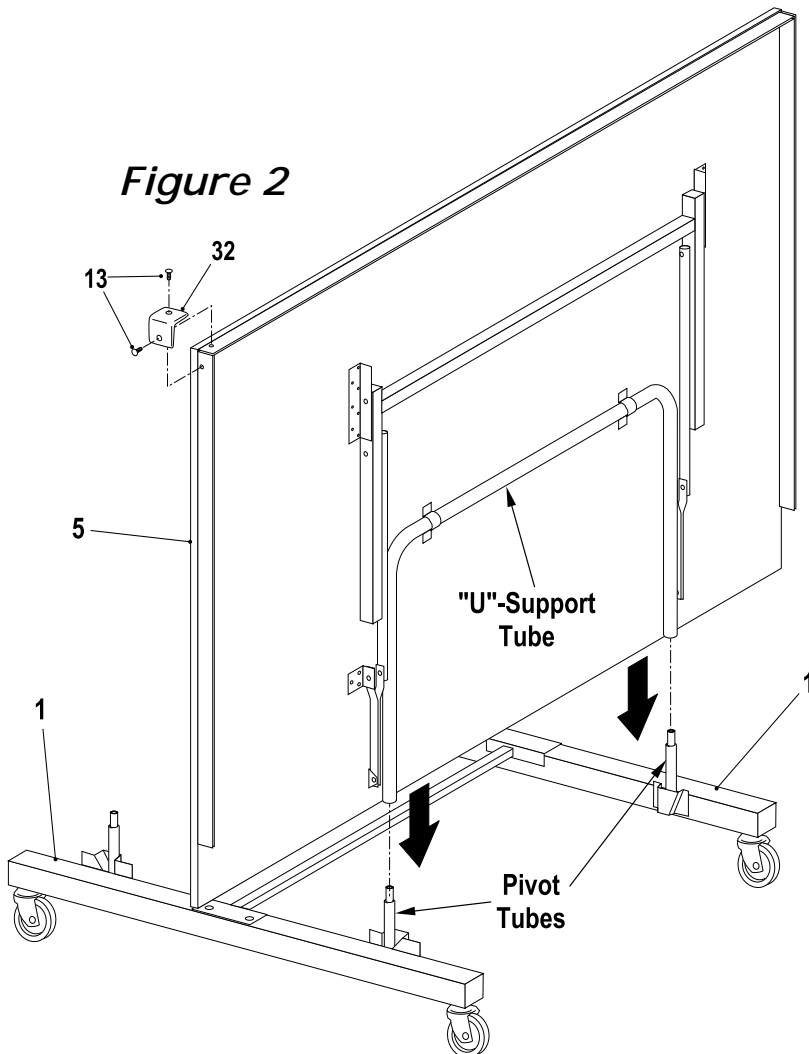


Figure 2

2. Attach table top (#5) to table base that you just assembled, as shown in Figure 2. With at least one adult on each side of table top (#5), lift top and align ends of "U"-support tube with top of pivot tubes on caster rails (#1). Slide tubes together.

⚠ WARNING:

DO NOT OPEN THE TABLE TO PLAYING POSITION UNTIL BOTH TOPS ARE INSTALLED! DO NOT LEAVE TABLE STANDING UNATTENDED. IT COULD BE KNOCKED OVER CAUSING SERIOUS BODILY INJURY OR PROPERTY DAMAGE.

3. With two adults, put other table top onto other pivot tubes following instructions in step 2.
4. Attach corner protectors (#32) to rails using tree plugs (#13). Simply push the plugs through the protector and into the rail until snug.

OPENING AND CLOSING INSTRUCTIONS



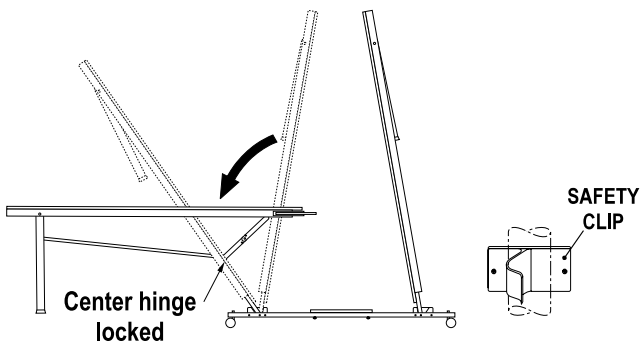
CAUTION:

WIND GUSTS CAN BLOW OVER OR UNEXPECTEDLY OPEN THE TABLE; STORE IN PROTECTED AREA. EXERCISE CAUTION IN OPENING/CLOSING TABLE. SMALL CHILDREN, OR CHILDREN NOT PROPERLY INSTRUCTED IN ITS USE, MUST NOT BE ALLOWED TO OPEN/CLOSE TABLE. IMPROPER HANDLING AND MISUSE CAN RESULT IN SERIOUS INJURY OR DAMAGE. DO NOT CLIMB, STAND, OR JUMP ON TABLE.

TO OPEN:

1. Hold center of top edge of table top with both hands. Gently pull outward to midway position. Continue to pull until disengaged from safety clips and legs rest on the floor. Do not leave table partially opened at midway position. See Figure 3.

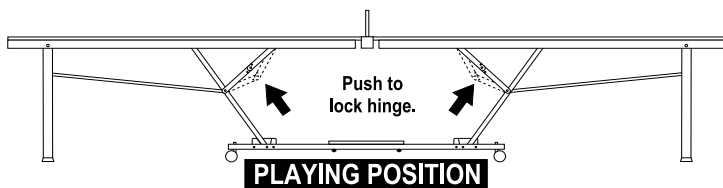
CAUTION! Do NOT touch any parts on bottom of table while opening and closing.



PLAYBACK POSITION

Figure 3

2. Open other table half as in step 1 and 2.
3. Lock all four center hinges. See Figure 4.



PLAYING POSITION

Figure 4

4. Secure net posts to center of table and slide net down over posts. See Figure 5.

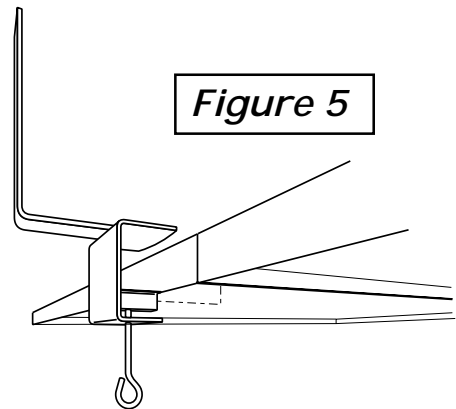
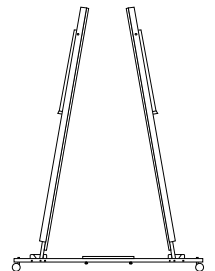


Figure 5

TO CLOSE:

1. Remove net and net posts from table.
2. Unlock all four hinges.
3. Lift table half to midpoint until the safety clips are engaged. Then continue lifting until closed.
4. Raise other table half in the same manner.



STORAGE POSITION

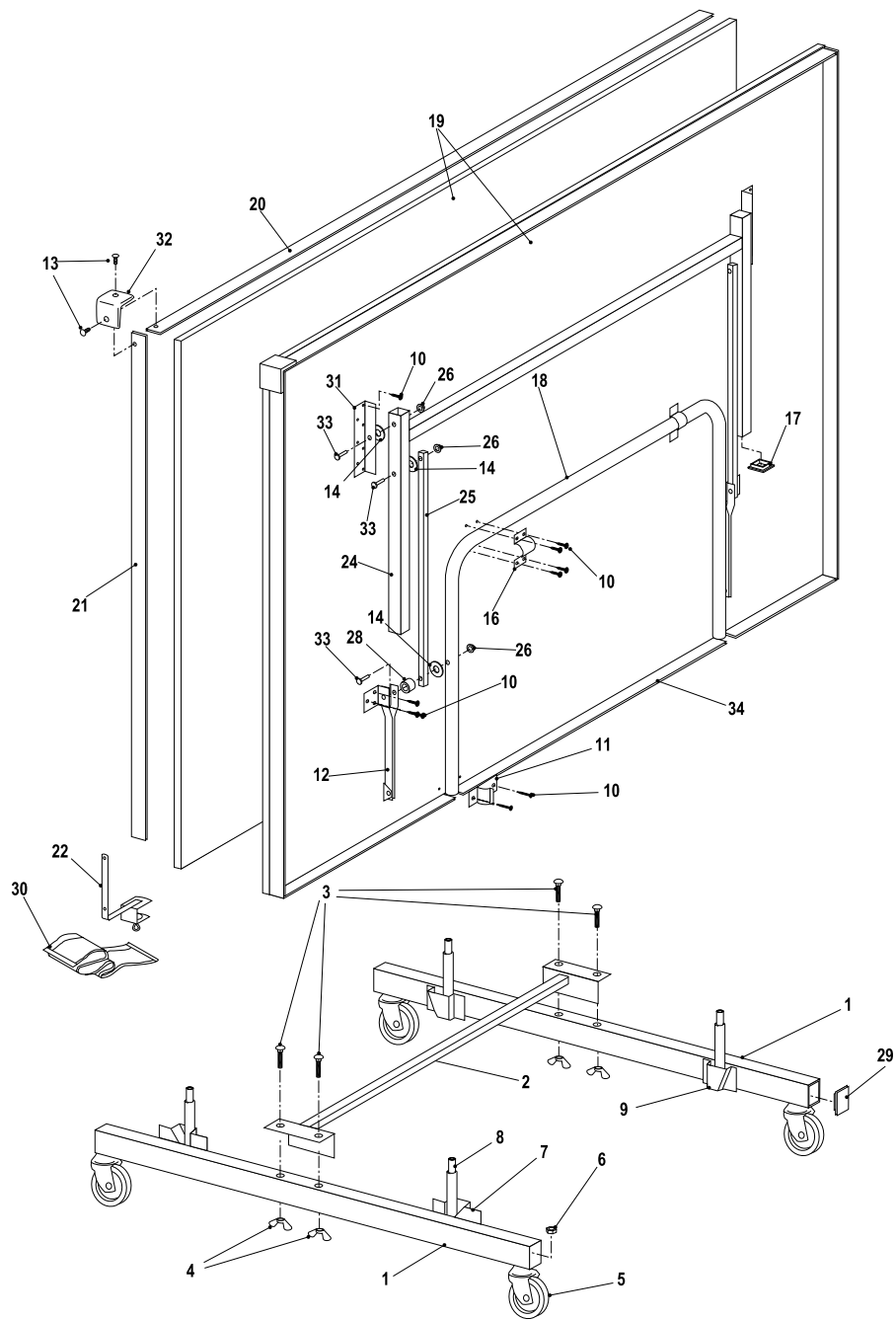
Figure 6

WARNING!

DO NOT LIFT TABLE BY THE TABLE TOPS! TABLE IS NOT FASTENED TO BASE AND CAN COME LOOSE, CAUSING PERSONAL INJURY OR PROPERTY DAMAGE!

IF TRANSPORTATION OTHER THAN ROLLING IS NECESSARY, HAVE ONE ADULT ON EACH END OF ONE TABLE HALF LIFT IT UP, DISASSEMBLING IT FROM THE LOWER PART OF THE UNIT. THEN REMOVE OTHER TABLE HALF. MOVE UNIT IN THREE OR FOUR PIECES AND REASSEMBLE.





Replacement Parts List for Model Numbers T8210M, T8264M

2L-4078-04

Key#	T8210M	T8264M	Description	Qty.
1	4A-5329-00 8S-4084-02	4A-5351-00 8S-4084-03	Caster Rail Assembly Caster Rail only	2
2	1A-6221-02	1A-6221-03	Cross Tube	1
3	1B-6061-02	1B-6061-02	1/4-20 x 2.5" Carr Bolt	4
4	2B-6082-00	2B-6082-00	1/4-20 Wing Nut	4
5	2Q-6066-00 2Q-6067-00	2Q-6066-00 2Q-6067-00	4" Caster 4" Caster With lock	2
6	WN-1025-00	WN-1025-00	3/8 Jam Nut	4
7	2S-6278-01	2S-6278-01	RH Pivot Bracket	2
8	8S-6451-02	8S-6451-04	Pivot Tube	4
9	2S-6279-01	2S-6279-01	LH Pivot Bracket	2
10	WB-1077-00	WB-1077-00	#8 x 1/2 SMS	132
11	3M-6273-00	3M-6273-00	Plastic Clip	4
12	4A-6336-00	4A-6336-00	Hinge / Brkt Assembly	4
13	3M-4118-00	3M-4118-00	Tree Plug	8
14	2B-6088-00	2B-6088-00	Nylon Washer	12
16	710-54	710-54	"U" Clip	4

Key#	T8210M	T8264M	Description	Qty.
17	704-138	704-138	1.25" Tube end cap	4
18	8S-4083-00	8S-4104-00	"U" Support	2
19	4A-5319-00	4A-5319-00	Half Top	2
20	8S-4078-00	8S-4078-00	End Rail	2
21	8S-4077-00	8S-4077-00	Side Rail (right)	2
	8S-4090-00	8S-4090-00	Side Rail (Left)	2
22	4A-6452-00	4A-6452-00	Net Bracket Kit	1
24	1A-4070-01	1A-4070-03	Leg Assembly	2
25	8S-4074-02	8S-4074-03	Linkage Tube	4
26	701-26	701-26	1/4 -20 Lock nut	12
28	3M-4111-00	3M-4111-00	Nylon Spacer	4
29	3M-6274-00	3M-6274-00	Tube Plug	4
30	3F-4018-00	3F-4018-00	Net	1
31	2S-6139-01	2S-6139-01	Mounting Bracket	4
32	3M-6389-00	3M-6389-00	Molded Corner	4
33	WB-1110-00	WB-1110-00	1/4-20 x 2" Screw	12
34	8S-4091-00	8S-4091-00	Inner Rail	2