



MODEL NOS.
T8196
OUTDOOR
SUPREME
TABLE TENNIS TABLE

OWNER'S MANUAL

- 1. Read this manual carefully before starting assembly.** Read each step completely before beginning each step.
- 2. Some smaller parts may be shipped inside larger parts. Check inside all parts and cartons before assembling or ordering parts.**
- 3. Do not tighten hardware until instructed to do so.** If hardware is tightened too soon, mounting holes may not align and parts may not easily fit together. Leave locknuts slightly loose until you are instructed to tighten them.

Please Do Not Return This Product To The Store!

Contact Escalade® Sports customer service department at:

Phone: 1-866-873-3528 Toll – Free !

Fax: 1-866-873-3533 Toll – Free !

E-mail: tabletennis@escaladesports.com

Mailing Address (correspondence only):

Escalade Sports

PO Box 889

Evansville, IN 47706

Please visit our World Wide Web site at: www.escaladesports.com

ON-LINE TROUBLE SHOOTING

TECHNICAL ASSISTANCE

ON-LINE PARTS REQUESTS

FREQUENTLY ASKED QUESTIONS

ADDITIONAL ESCALADE® SPORTS PRODUCT INFORMATION



2L-4112-00

Escalade® Sports products may be manufactured and/or licensed under the following patents:

6120397, 5816957, 5769744, 5119741, 4911085, 4717157, D460140, D420563

Additional patents may be pending. One or more of the listed patents and/or pending patents may cover specific product.

©2004 Escalade® Sports

90 DAY LIMITED WARRANTY

This consumer warranty extends to the original consumer purchase of any ESCALADE® SPORTS Product (hereinafter referred as the "Product").

WARRANTY DURATION: This Product is warranted to the original consumer purchase of a period of ninety (90) days from the original purchase.

WARRANTY COVERAGE: ESCALADE SPORTS warrants to the original Consumer Purchaser that any Product of its manufacture is free from defects in material and workmanship when used for the intended purpose under normal use and conditions. THIS WARRANTY IS VOID IF THE PRODUCT HAS BEEN DAMAGED BY ACCIDENT, UNREASONABLE USE, NEGLIGENCE, IMPROPER SERVICE, FAILURE TO FOLLOW INSTRUCTIONS PROVIDED WITH THE PRODUCT OR OTHER CAUSES NOT ARISING OUT OF DEFECTS IN MATERIAL AND WORKMANSHIP.

WARRANTY PERFORMANCE: During the above ninety (90) day warranty period, ESCALADE SPORTS shall repair or replace with a comparable model, and Product, or component thereof, which may prove defective under normal use and proper care, and which our examination shall disclose to our satisfaction to be thus defective, please contact our Warranty Dept.

1-800-426-1421 / Warranty Dept.

Or Write us at:

Escalade® Sports, Inc. - P.O. Box 889, Evansville, IN 47706 - Attn: Warranty Dept.

Or E-mail us at:

customerservice@escaladesports.com

Other than shipping requirements no charge will be made for such repair or replacement of in-warranty Products. ESCALADE® SPORTS strongly recommends that the Product is insured for value prior to mailing.

WARRANTY DISCLAIMERS: ANY IMPLIED WARRANTIES ARISING OUT OF THIS SALE, INCLUDING BUT NOT LIMITED TO THE IMPLIED WARRANTIES OF MERCHANTABILITY AND FITNESS FOR A PARTICULAR PURPOSE, ARE LIMITED IN DURATION TO THE ABOVE NINETY (90) DAY WARRANTY PERIOD. ESCALADE® SPORTS SHALL NOT BE LIABLE FOR LOSS OF USE OF THE PRODUCT OR OTHER CONSEQUENTIAL OR INCIDENTAL COSTS, EXPENSES OR DAMAGES INCURRED BY THE CONSUMER OF ANY OTHER USE.

Some states do not allow the exclusion or limitation of implied warranties or consequential or incidental damages, so the above limitations or exclusions may not apply to you.

LEGAL REMEDIES: This warranty gives you specific legal rights and you may also have other rights which may vary from state to state.

CARE AND MAINTENANCE

You have purchased a quality product that will give you years of enjoyment. By following these simple maintenance steps you will add to the life of your new table. The top (playing surface) of your table is of aluminum construction. It can be affected by atmospheric conditions, meaning both temperature and humidity. This may cause a slight sag or distortion as top expands or contracts. This is normal and should not cause concern as it does not detract from the play or utility value of the table.

STORAGE OF YOUR TABLE

Wind gusts can blow over or unexpectedly open the table; Store in protected area. When your table is not in use, it should be folded up in a dry area.

CLEANING YOUR TABLE

To clean your table use a soft damp **NOT WET** cloth only. To prevent damage to your table's playing surface **DO NOT** use any chemicals, abrasive, or cleaning products on your table's playing surface.

IMPORTANT: Periodically, lubricate all moving parts, including pivot points, to assure smooth opening and closing. A light lubricant such as WD-40 is recommended.

UNLEVEL TABLE

If table does not seem level, it is more than likely because the floor is not level. Move table several inches (set table in playing position) in different directions to find the best location for the table. If the floor is extremely unlevel, table may not play or operate properly. If table is high in the center, shim up under the outer legs.

⚠ WARNING:

READ AND FOLLOW ALL ASSEMBLY, OPERATING, AND SAFETY INSTRUCTIONS CAREFULLY. AT LEAST TWO (2) ADULTS ARE NEEDED TO PUT THIS TABLE TOGETHER!

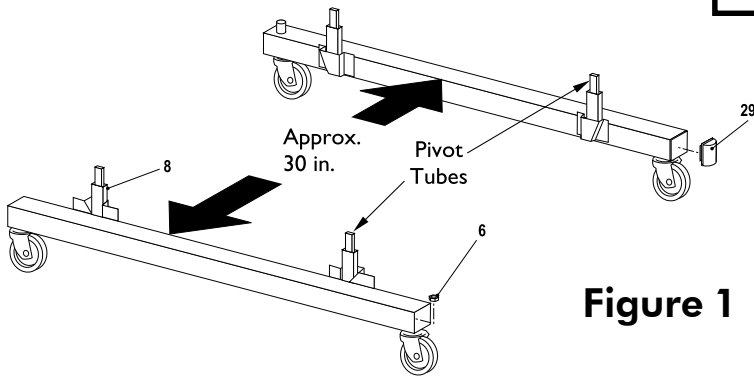


Figure 1

1. Position caster rails (#1) on the floor as shown approximately 30 inches apart.

⚠ WARNING:

AT LEAST TWO (2) ADULTS ARE NEEDED TO COMPLETE THE REST OF THIS ASSEMBLY!

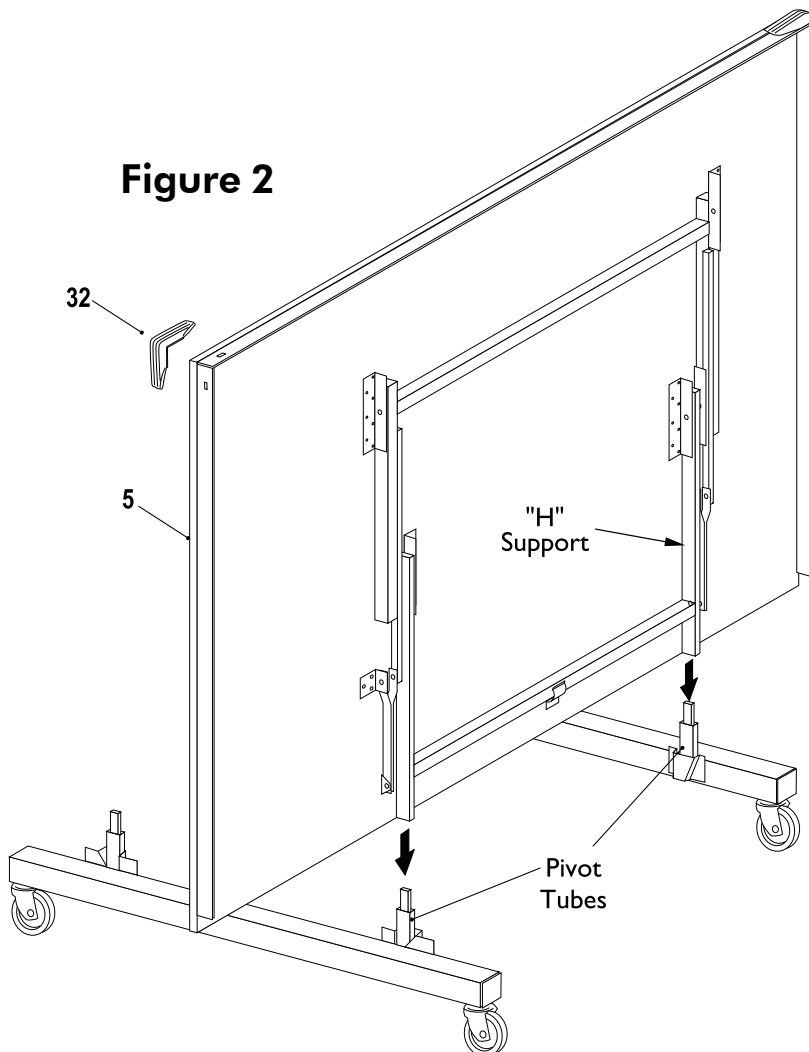


Figure 2

2. With another adult holding table top (#5) upright, attach ends of "H"-support tube with top of pivot tubes on caster rails (#1). Slide tubes together.
3. Repeat this process for the other caster rail. Then slide second table top down over remaining two pivot tubes, making sure the playing surface of the second top faces the playing surface of the first.

⚠ WARNING:

DO NOT OPEN THE TABLE TO PLAYING POSITION UNTIL BOTH TOPS ARE INSTALLED! DO NOT LEAVE TABLE STANDING UNATTENDED. IT COULD BE KNOCKED OVER CAUSING SERIOUS BODILY INJURY OR PROPERTY DAMAGE.

4. Attach corner cap to outside corners of table by snapping into slots. See Figure 2.

OPENING AND CLOSING INSTRUCTIONS



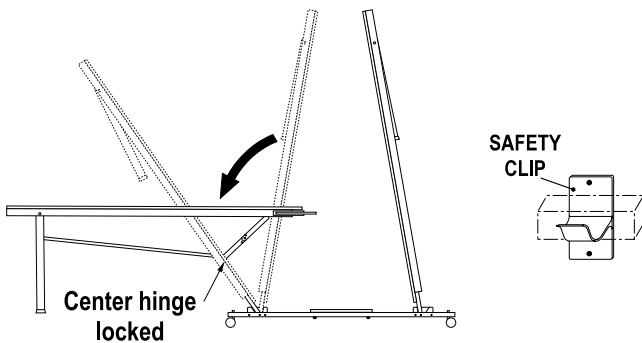
⚠ CAUTION:

WIND GUSTS CAN BLOW OVER OR UNEXPECTEDLY OPEN THE TABLE; STORE IN PROTECTED AREA. TABLE COVER #T6822 IS RECOMMENDED TO PROLONG THE LIFE OF YOUR TABLE. EXERCISE CAUTION IN OPENING/CLOSING TABLE. SMALL CHILDREN, OR CHILDREN NOT PROPERLY INSTRUCTED IN ITS USE, MUST NOT BE ALLOWED TO OPEN/CLOSE TABLE. IMPROPER HANDLING AND MISUSE CAN RESULT IN SERIOUS INJURY OR DAMAGE. DO NOT CLIMB, STAND, OR JUMP ON TABLE.

TO OPEN:

1. Hold center of top edge of table top with both hands. Gently pull outward to midway position. Continue to pull until disengaged from safety clips and legs rest on the floor. Do not leave table partially opened at midway position. See Figure 3.

CAUTION! Do NOT touch any parts on bottom of table while opening and closing.



PLAYBACK POSITION

Figure 3

2. Open other table half as in step 1 and 2.
3. Lock all four center hinges. See Figure 4.

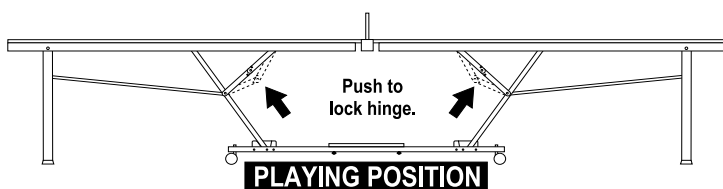


Figure 4

4. Secure net posts to center of table and slide net down over posts. See Figure 5.

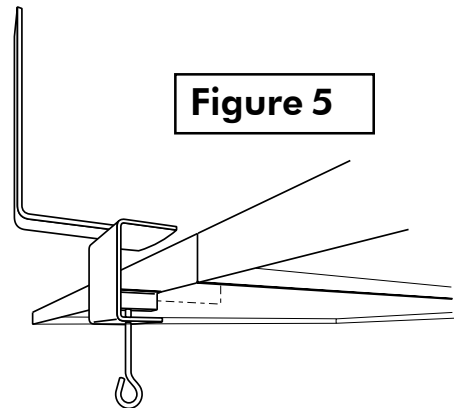
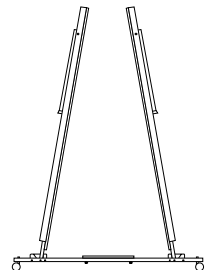


Figure 5

TO CLOSE:

1. Remove net and net posts from table.
2. Unlock all four hinges.
3. Lift table half to midpoint until the safety clips are engaged. Then continue lifting until closed.
4. Raise other table half in the same manner.



STORAGE POSITION

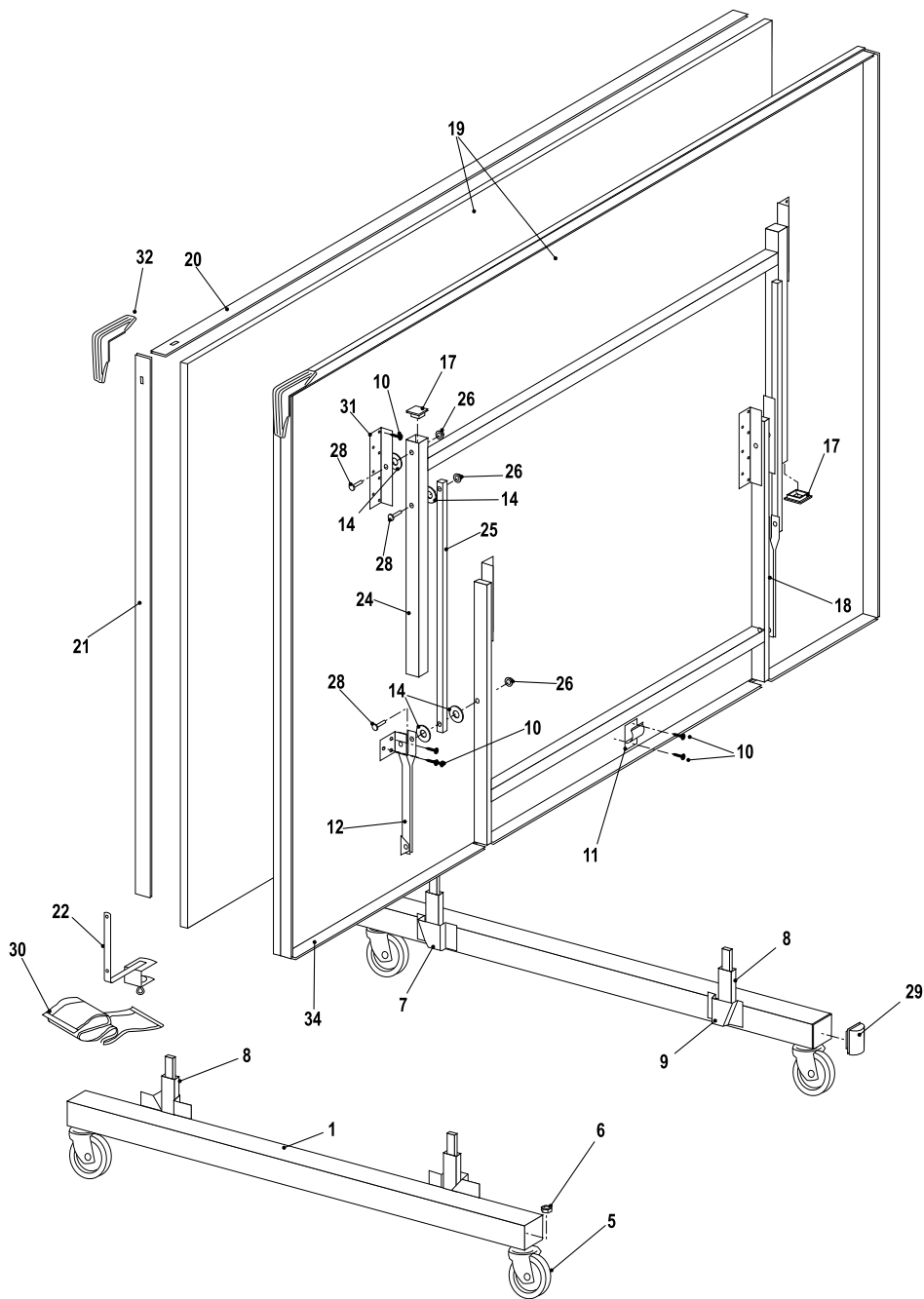
Figure 6

⚠ WARNING!

DO NOT LIFT TABLE BY THE TABLE TOPS! TABLE IS NOT FASTENED TO BASE AND CAN COME LOOSE, CAUSING PERSONAL INJURY OR PROPERTY DAMAGE!

IF TRANSPORTATION OTHER THAN ROLLING IS NECESSARY, HAVE ONE ADULT ON EACH END OF ONE TABLE HALF LIFT IT UP, DISASSEMBLING IT FROM THE LOWER PART OF THE UNIT. THEN REMOVE OTHER TABLE HALF. MOVE UNIT IN THREE OR FOUR PIECES AND REASSEMBLE.





Replacement Parts List for Model Number T8196

2L-4112-00

Key#	Part#	Description	Qty.
1	4A-5410-00	Caster Rail Assembly	2
	8S-4122-02	Caster Rail only	2
2	1B-4112-00	#6 x 1/4" Phillips Head Screw	8
5	2Q-4005-00	4" Caster	2
	2Q-4006-00	4" Caster with Lock	2
6	WN-1025-00	Jam Nut	4
7	2S-4594-01	RH Pivot Bracket	2
8	8S-4075-02	Pivot Tube	4
9	2S-4595-01	LH Pivot Bracket	2
10	1B-4090-00	#8 x 5/16 SMS	60
11	3M-6273-00	Plastic Clip	4
12	1A-4064-00	Hinge / Bracket Assembly	4
14	2B-6088-00	Nylon Washer	12
17	704-119	1.5" Tube end cap	8
18	1A-4089-01	Strut Leg	2

Key#	Part#	Description	Qty.
19	4A-5319-10	Half Top	2
20	8S-4078-00	End Rail	2
21	8S-4077-00	Side Rail (right)	2
	8S-4090-00	Side Rail (Left)	2
22	5A-4184-00	Net & Post Set	1
24	1A-6220-02	Leg Assembly	2
25	8S-4074-02	Linkage Tube	4
26	WN-1008-00	1/4"-20 Lock Nut	16
28	WB-1075-00	1/4"-20 x 2 1/2 Screw	12
29	3M-6731-00	Tube Plug - Round Top	4
30	3F-4023-00	Net Only	1
31	2S-6139-02	Mounting Bracket	4
32	3M-4132-00	Molded Corners	4
34	8S-4091-00	Inner Rail	2
35	3M-4111-00	Nylon Spacer	4