

# OWNER'S MANUAL

## Table Tennis Table

Patent Pending

Be sure to write your model number and serial number here for future reference. You can find these numbers printed on the bottom of the table.

**MODEL # T8179**

**SERIAL # \_\_\_\_\_**



**CAUTION:**

**READ ASSEMBLY, OPERATING AND SAFETY INSTRUCTIONS CAREFULLY! AT LEAST TWO ADULTS ARE NEEDED TO PUT THIS TABLE TOGETHER!**

Thank you for buying our product. We try hard to ensure that our products are of high quality and free of problems, such as manufacturing defects or missing parts. However, if you have any problems with your new product, please **DO NOT RETURN IT TO THE STORE!**

**DO NOT RETURN THIS PRODUCT TO THE STORE!**

Call us at:

**TOLL FREE 1-866-873-3528**

**(THIS IS A CONSUMER ONLY NUMBER)**

**Please have this Owner's Manual with you when you call.**

Or write us at: CUSTOMER SERVICE DEPT., P.O. Box 889, Evansville, IN 47706

Fax Number: (812) 467-1399.

Or E-mail us at: [customerservice@escaladesports.com](mailto:customerservice@escaladesports.com)



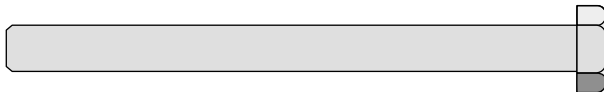

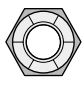
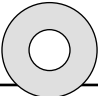

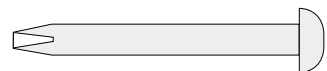
Please provide model number and/or part number (not just the key number) of the product and/or part when you call or write. These numbers can be found on the product, packaging, and/or in this Owner's Manual.

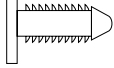
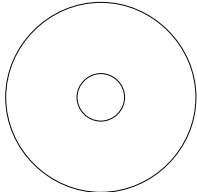
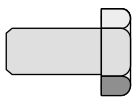

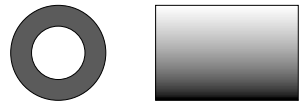
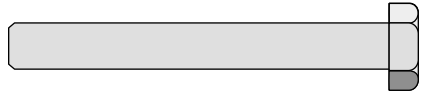
**TOOLS NEEDED:**

Phillips Screwdriver, Two 7/16 Wrenches, One 3/8 Wrench (an adjustable wrench may be substituted for the wrenches), Flat Blade Screw Driver

KEY NO.

## HARDWARE IDENTIFIER

9	1/4-20 x 1-1/2 Hex Hd. Bolt	
10	#10-24 x 3/4 Rd. Hd. Screw	
14	1/4-20 x 3 Hex Hd. Bolt	
15	1/4-20 Locknut	
16	#10-24 Locknut	
17	3/16 S.A.E. Washer	
18	1/4-20 x 2-1/4 Hex Hd. Bolt	
19	#8-32 x 1-1/2 S.M.S.	

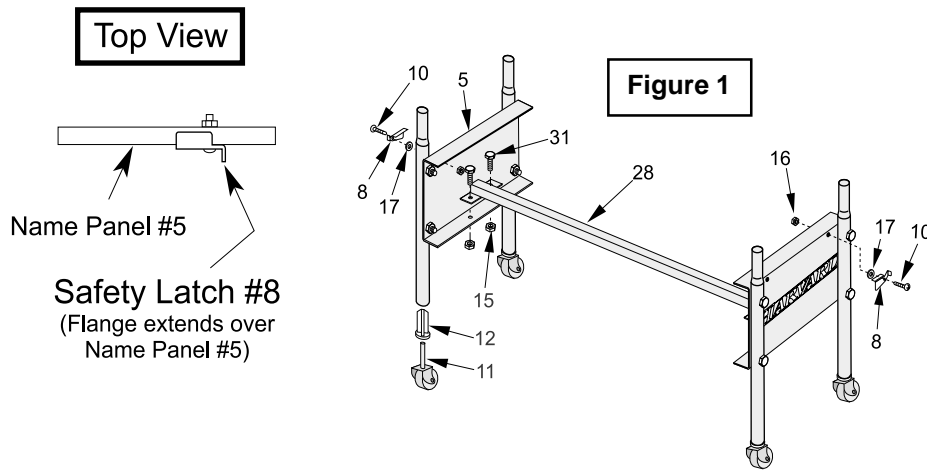
23	Tree Plug	
24	Plastic Washer	
31	1/4-20 x 1/2 Hex Hd. Bolt	
34	5/16" Spacer	
35	3/4" Spacer	
36	1/4-20 x 2 Hex Hd. Bolt	

2L-4105-00



# CAUTION:

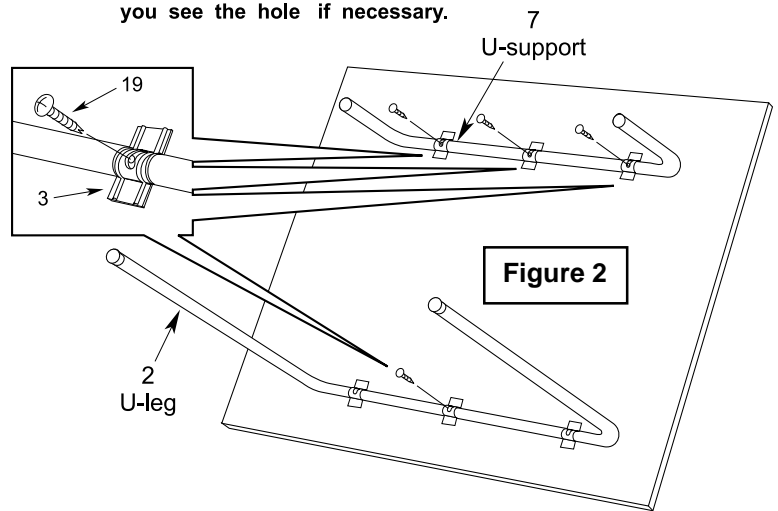
**INSTALL SAFETY LATCHES #8 AS SHOWN ABOVE FOR PROPER USE OF TABLE! DO NOT SKIP THIS STEP! DO NOT OPERATE TABLE UNTIL SAFETY LATCHES ARE INSTALLED AND ASSEMBLY IS COMPLETE!**



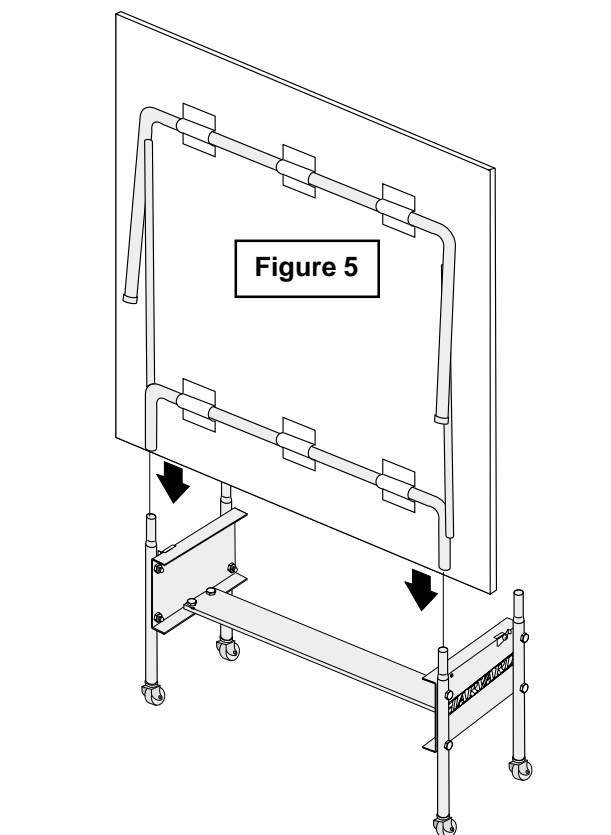
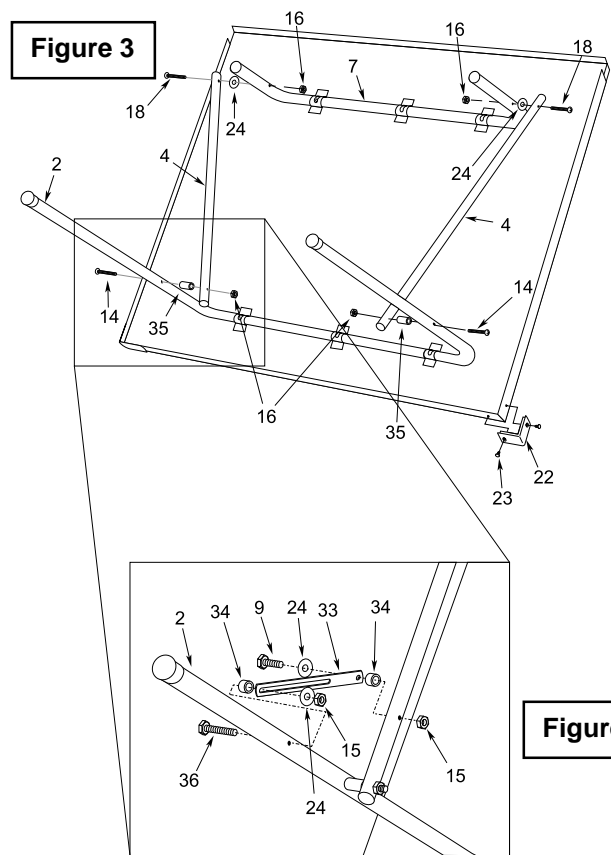
1. Gently tap four castor sockets #12 into Name Panel Assemblies until flange on sockets touches the edge of the tube. **DO NOT HIT CASTER SOCKET TOO HARD WITH A HAMMER!** Sockets may break if hit too hard. See Figure 1.
2. Insert casters #11 into castor sockets #12.
3. Connect the two Name Plate Assemblies to the Cross Support #28, as shown in Figure 1, using four bolts #31 and four nuts #15.
4. Install a safety latch #8 into the right-hand hole on each name panel as shown in Figure 1. Use one screw #10 one washer #17 and one hex nut #16. **NOTE: Flange on safety latch must extend over top of name panel as shown in Figure 1. Safety latch must pivot freely.**

**Note: Slide U-support back and forth until you see the hole if necessary.**

5. Rotate U-support #7 until you see the screw holes in the slots of U-clips #3. Slide U-support #7 side to side if necessary. See Figure 2.
6. Rotate U-leg #2 until you see the screw hole in the slot of center U-clip #3. Slide U-leg #2 side to side if necessary. See Figure 2.
7. Insert a screw #19 through slot in U-clips #3 and into each hole in U-support #7 and center hole in U-leg #2. Thread it all the way in until it touches the back of the tube. There should be about 3/8 inch of screw #19 left sticking out.



8. Lay table top #1 painted side down, on a smooth, flat surface. Use the shipping container to protect the painted surface of the table top.
9. Attach end of linkages #4 with two holes to **INSIDE** of U-leg #2 as shown in Figure 3. Secure with screws #14, locknuts #16 and plastic spacers #35. Tighten hardware snug enough to keep table stable but do not overtighten. Tubes must pivot freely. **NOTE:** Plastic spacers go between linkages #4 and U-leg #2.
10. Attach other end of linkages #4 to **OUTSIDE** of U-support #7 with screws #18, locknuts #16 and plastic washers #24. Tighten hardware until snug but do not overtighten. Tubes must pivot freely.
11. Attach corner protectors (#22) to rails using tree plugs (#23). Simply push the plugs through the protector and into the rail until snug.
12. On one side of the table attach slotted end of safety strap #33 to **INSIDE** of U-Leg #2 using one bolt #36, one spacer #34, one washer #24, and one hex nut #15. Tighten hardware until snug but do not overtighten. Tubes must pivot freely. See Figure 4.
13. Attach other end of safety strap #33 to **OUTSIDE** of linkage #4 using one bolt #9, one washer #24, one spacer #34, and one hex nut #15.
14. Prepare an area for the assembly of the second table top half. If necessary, move the first table top half aside with the aid of a helper. Be sure to place it in a location where it won't be disturbed or damaged. If setting on its side, be sure to place the bottom edge no less than 12 inches away from the wall. Also be sure to place carpet or pieces of the shipping carton down to protect table top edges. If floor is not carpeted, brace table top half with a heavy object to keep it from sliding.
15. Repeat steps 5 thru 13 on second table half.



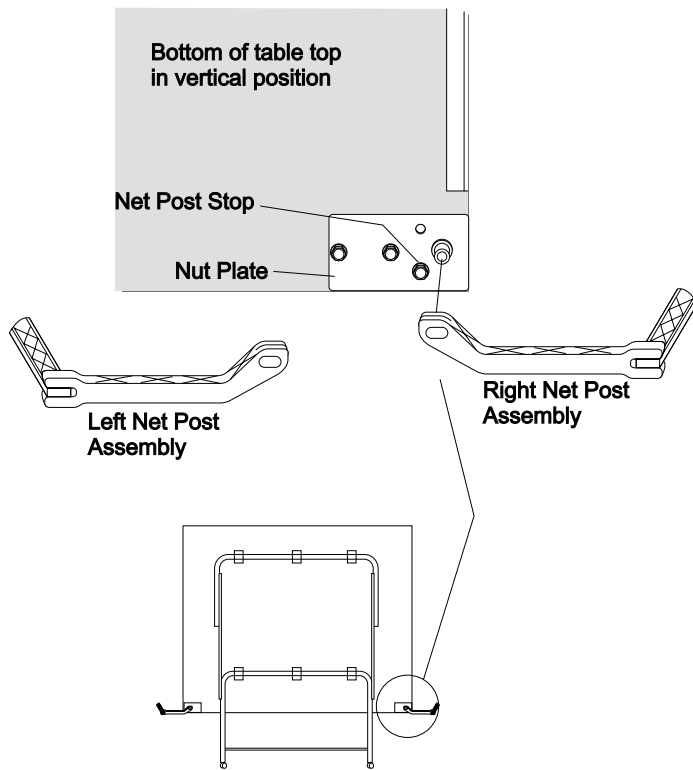
**⚠ WARNING:**  
**AT LEAST TWO (2) ADULTS ARE NEEDED TO COMPLETE THE REST OF THIS ASSEMBLY! WHEN ASSEMBLING TOPS TO BASE, HANDLE TOP ASSEMBLIES BY GRASPING ONLY THE TOPS THEMSELVES. DO NOT GRASP METAL LEGS, U-SUPPORT, LINKAGE, OR HINGES. THESE PARTS CAN MOVE AND COULD PINCH FINGERS OR HANDS CAUSING SERIOUS INJURY! ASSEMBLE AS SHOWN WITH LEGS FULLY CLOSED AND TOPS IN A VERTICAL POSITION. DO NOT OPEN LEGS AND TRY TO ASSEMBLE. TABLE TOPS ARE HEAVY - DO NOT ATTEMPT TO ASSEMBLE ALONE!**

16. With two adults, attach table top (#1) to table base, as shown in Figure 5. With at least one adult on each side of table top, lift top and align ends of "U"-support tube with top of upright tubes. Slide tubes together.
17. With two adults, put other table top onto other pivot tubes following instructions in previous step.

**⚠ WARNING:**  
**DO NOT OPEN THE TABLE TO PLAYING POSITION UNTIL BOTH TOPS ARE INSTALLED! DO NOT LEAVE TABLE STANDING UNATTENDED. IT COULD BE KNOCKED OVER CAUSING SERIOUS BODILY INJURY OR PROPERTY DAMAGE.**

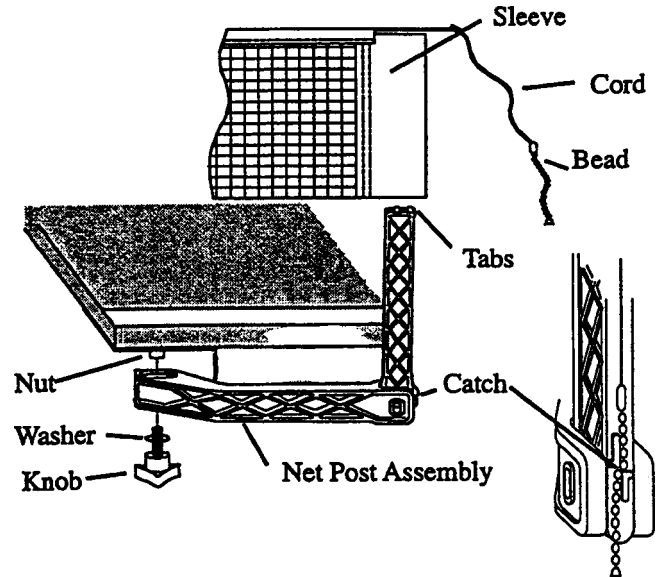
# NET ASSEMBLY

## Net System Description



## 1. Net Post Assembly

Attach plastic net post as shown with washer and knob. Note: there is a left and right net post assembly (See Net System Description). Post assembly should rest flat against nut plate. Slide the net sleeve over the vertical post while the net post assembly is folded in toward the side of the table top. Fold the net post assembly out against the net post stop into the post and secure bead chain in catch.

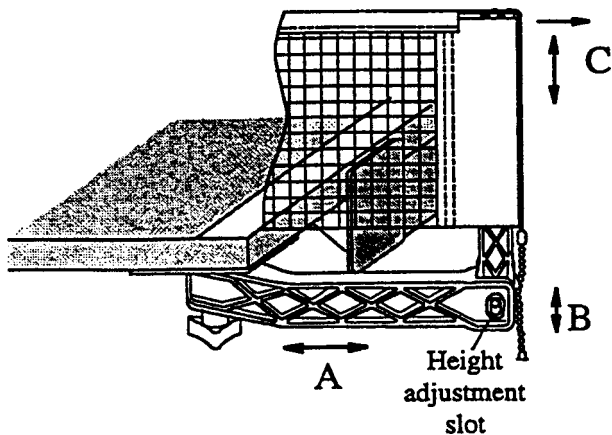


## 2. Adjustments

A - Adjust overall net tension by slightly loosening the knob and moving net post assembly. Moderately tighten knob. Net post assembly should be kept square with the table by the net post stop (See Net System Description).

B - Adjust tension of cord with bead chain on each side. Assure that chain is fully seated in catch.

C - Position top of net to a regulation height of 6" from the table surface by firmly gripping the vertical net post within height adjustment slot.



## 3. Storage

**WARNING! Net posts must be pivoted toward side of table before lifting tops to storage or playback positions.**

Loosen knob and pivot net post toward table side as far as it will go. Retighten Knob.

# OPENING AND CLOSING INSTRUCTIONS

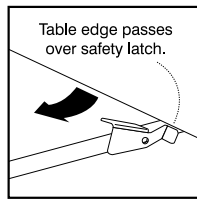
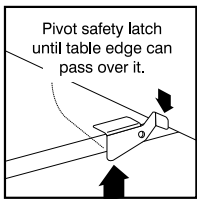
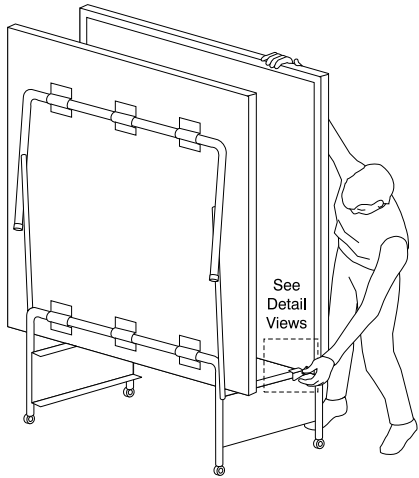


## CAUTION:

READ OPERATING INSTRUCTIONS CAREFULLY BEFORE OPERATING TABLE!  
DO NOT ALLOW CHILDREN TO OPEN TABLE! DO NOT CLIMB, STAND OR  
JUMP ON TABLE! SERIOUS OR FATAL INJURY MAY RESULT! THIS IS NOT A  
TOY! TABLE IS TO BE OPENED OR CLOSED BY ADULTS ONLY! FAILURE TO  
COMPLY WITH OPENING AND CLOSING INSTRUCTIONS COULD RESULT IN  
PERSONAL INJURY OR PROPERTY DAMAGE.

### TO OPEN:

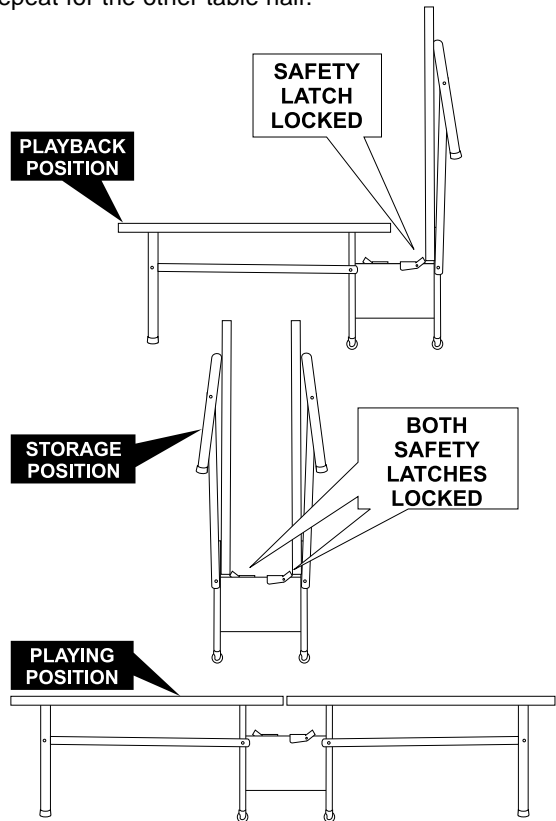
1. Stand behind the table near the safety latch.
2. Hold table half with one hand and pivot safety latch enough to allow the edge of the table half to pass over it.
3. While keeping an eye on the safety latch, pivot table half until it moves past the safety latch. Once edge of table has passed over safety latch, stop pivoting table half.
4. With both hands on the table half, center yourself along the table half and lower the table half to the floor.
5. Repeat for the other table half.



### TO CLOSE:

**WARNING! Net posts must be pivoted toward side of table before lifting tops to storage or playback positions.**

1. Pivot net post toward side of table.
2. Lift table half upward and inward to vertical position.
3. Check to be sure that table half is locked in the safety latch.
4. Repeat for the other table half.



## ! WARNING!

DO NOT LIFT TABLE BY THE TABLE TOPS!  
TABLE IS NOT FASTENED TO BASE AND CAN  
COME LOOSE, CAUSING PERSONAL INJURY  
OR PROPERTY DAMAGE!

IF TRANSPORTATION OTHER THAN ROLLING  
IS NECESSARY, WITH AT LEAST **THREE**  
**ADULTS** DISASSEMBLE TABLE. ONE ON  
EACH END OF ONE TABLE HALF TO LIFT IT  
UP AND ONE TO HOLD OTHER TABLE HALF  
SO TABLE DOES NOT TIP OVER. THEN  
REMOVE OTHER TABLE HALF. MOVE UNIT IN  
THREE OR FOUR PIECES AND REASSEMBLE.  
DO NOT LEAVE TABLE WITH ONE TABLE  
HALF INSTALLED UNATTENDED.

## **CARE AND MAINTENANCE**

You have purchased a quality product that will give you years of enjoyment. By following these simple maintenance steps, you will add to the life of your new table.

### **CARE AND MAINTENANCE**

You have purchased a quality product that will give you years of enjoyment. By following these simple maintenance steps you will add to the life of your new table. The top (playing surface) of your table is of aluminum construction. It can be affected by atmospheric conditions, meaning both temperature and humidity. This may cause a slight sag or distortion as top expands or contracts. This is normal and should not cause concern as it does not detract from the play or utility value of the table.

### **STORAGE OF YOUR TABLE**

Wind gusts can blow over or unexpectedly open the table; Store in protected area. When your table is not in use, it should be folded up in a dry area.

### **CLEANING YOUR TABLE**

To clean your table use a soft damp NOT WET cloth only. To prevent damage to your table's playing surface DO NOT use any chemicals, abrasive, or cleaning products on your table's playing surface.

**IMPORTANT:** Periodically, lubricate all moving parts, including pivot points, to assure smooth opening and closing. A light lubricant such as WD-40 is recommended.

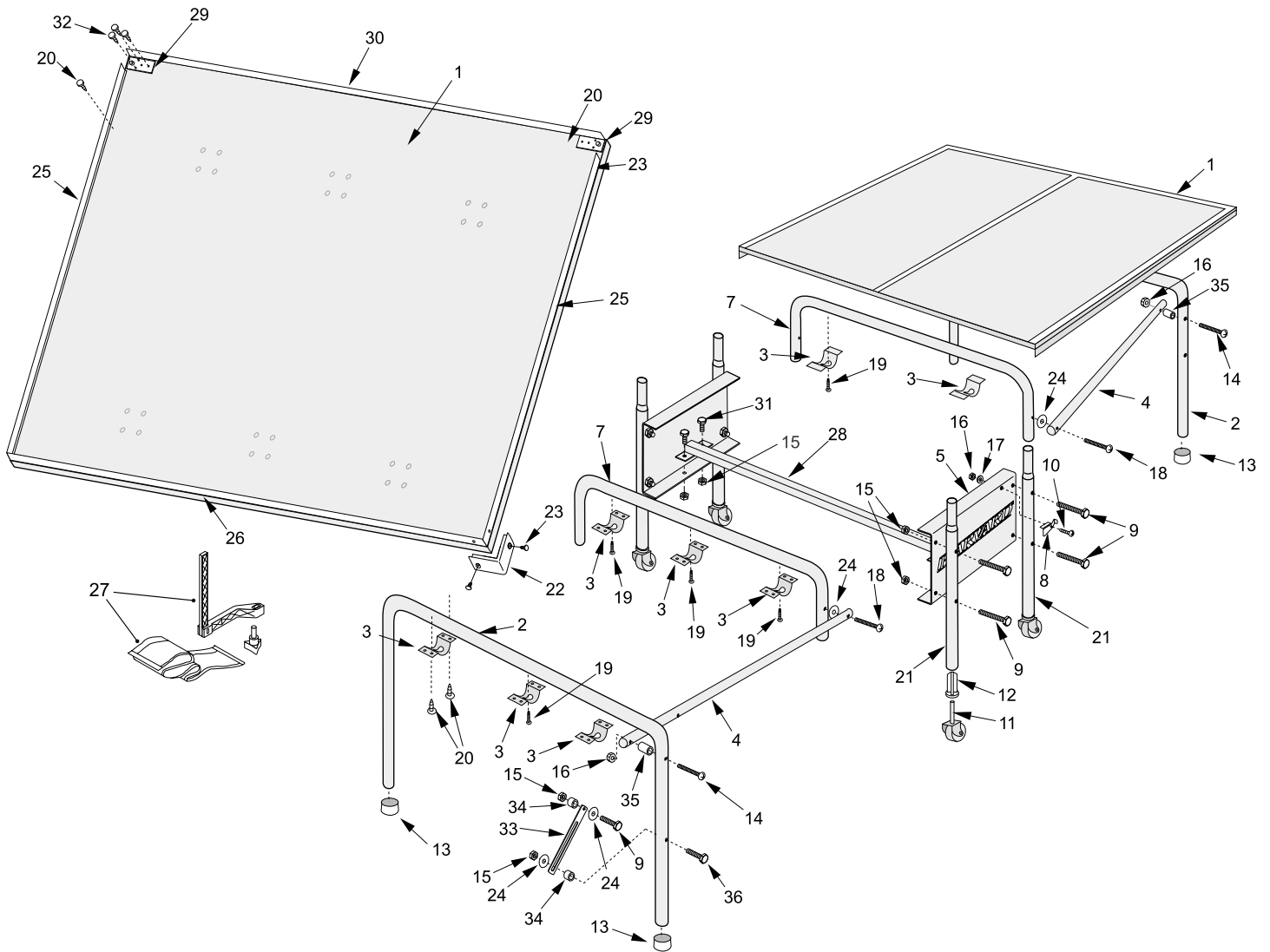
## **LIMITED WARRANTY**

Manufacturer warrants to the original retail purchaser, this product to be free from defects in material and workmanship for a period of ninety (90) days from the date of purchase.

Should this product become defective due to material or workmanship within the warranty period, contact our Customer Service Department for repair or replacement at our option.

This warranty is not transferable and does not cover normal wear and tear, bowing of the table or damage caused by improper handling, installation or use of this product. This warranty is also void if product is in any way abused, damaged, or modified from its original state, or if used for other than residential use.

This warranty gives you specific legal rights, and you may have other rights which vary from state to state.



## PRODUCT PARTS LIST T8179

Key #	Part #	Description	Qty.	Key #	Part #	Description	Qty.
1	4A-5319-10	Half Top	2	21	8S-6603-12	Upright Tube	4
2	8S-5550-01	U-leg	2	22	3M-6389-00	Corner Cap	4
3	2S-6319-02	1-1/4" U-Clip	12	23	3M-4118-00	Tree Plug	8
4	8S-6635-03	Linkage	4	24	2B-6087-00	Plastic Washer	8
5	2S-6419-03	Name Panel	2	25	8S-4111-00	Side Rail R.H.	2
7	8S-6639-02	U-support	2		8S-4112-00	Side Rail L.H.	2
8	2S-6264-03	Safety Latch	2	26	8S-4078-00	End Rail	2
9	701-47	1/4"-20 x 1 1/2" Hex Head Bolt	10	27	5A-6781-00	Net and Post Kit	1
10	801-120B	#10-24 x 3/4 Phil Rnd Hd Scr	2	28	1A-6326-02	Cross Brace	1
11	2Q-6105-01	Caster	4	29	1A-6285-00	Nut Plate	2
12	3M-6115-00	Caster Socket	4	30	8S-4113-00	Inner Rail	2
13	3M-6447-00	Leg Cap	4	31	1B-4078-00	1/4"-20 x 1/2 Hex Head Bolt	4
14	701-166	1/4"-20 x 3 Hex Head Bolt	4	32	1B-4084-00	#8 x 13/32 Sheet Metal Screw	6
15	701-26	1/4"-20 Locknut	16	33	2S-6428-03	Safety Strap	2
16	601-80B	#10-24 Locknut	10	34	7B-6257-00	5/16" Spacer	4
17	701-1B	3/16" Flatwasher	2	35	7B-6256-00	3/4" Spacer	4
18	701-142	1/4"-20 x 2 1/4 Hex Head Bolt	4	36	701-82	1/4"-20 x 2 Hex Head Bolt	2
19	1B-6452-00	#8-32 x 1 1/2 Self Tapping Screw	8	37	2L-4105-00	Owner's Manual	1
20	1B-4090-00	#8 x 5/16 Sheet Metal Screw	118				