



TABLE TENNIS TABLE
 MODEL NOS.
T8167 QUICKPLAY 1000
T8267 QUICKPLAY 1000
T8180 METRO

OWNER'S MANUAL

1. **Read this manual carefully before starting assembly.** Read each step completely before beginning each step.
2. **Some smaller parts may be shipped inside larger parts. Check inside all parts and cartons before assembling or ordering parts.**
3. **Do not tighten hardware until instructed to do so.** If hardware is tightened too soon, mounting holes may not align and parts may not easily fit together. Leave locknuts slightly loose until you are instructed to tighten them.

Please Do Not Return This Product To The Store!

Contact Escalade® Sports customer service department at:

Phone: 1-866-873-3528 Toll – Free !

Fax: 1-866-873-3533 Toll – Free !

E-mail: tabletennis@escaladesports.com

Mailing Address (correspondence only):

Escalade Sports
 PO Box 889
 Evansville, IN 47706

Please visit our World Wide Web site at: www.escaladesports.com

- ON-LINE TROUBLE SHOOTING TECHNICAL ASSISTANCE
- ON-LINE PARTS REQUESTS FREQUENTLY ASKED QUESTIONS
- ADDITIONAL ESCALADE® SPORTS PRODUCT INFORMATION



2L-6603-03

Escalade® Sports products may be manufactured and/or licensed under the following patents:
 6120397, 5816957, 5769744, 5119741, 4911085, 4717157, D460140, D420563
 Additional patents may be pending. One or more of the listed patents and/or pending patents may cover specific product.

⚠ WARNING:

READ AND FOLLOW ALL ASSEMBLY, OPERATING, AND SAFETY INSTRUCTIONS CAREFULLY. AT LEAST TWO (2) ADULTS ARE NEEDED TO PUT THIS TABLE TOGETHER!

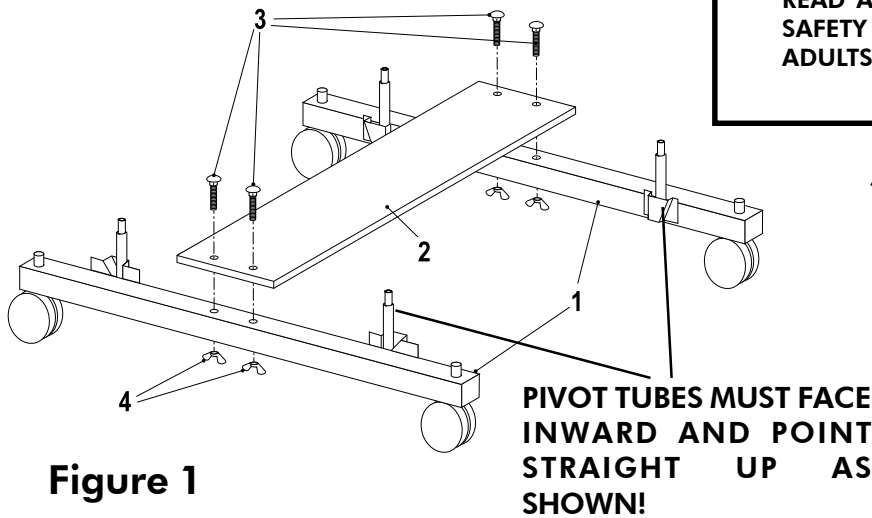
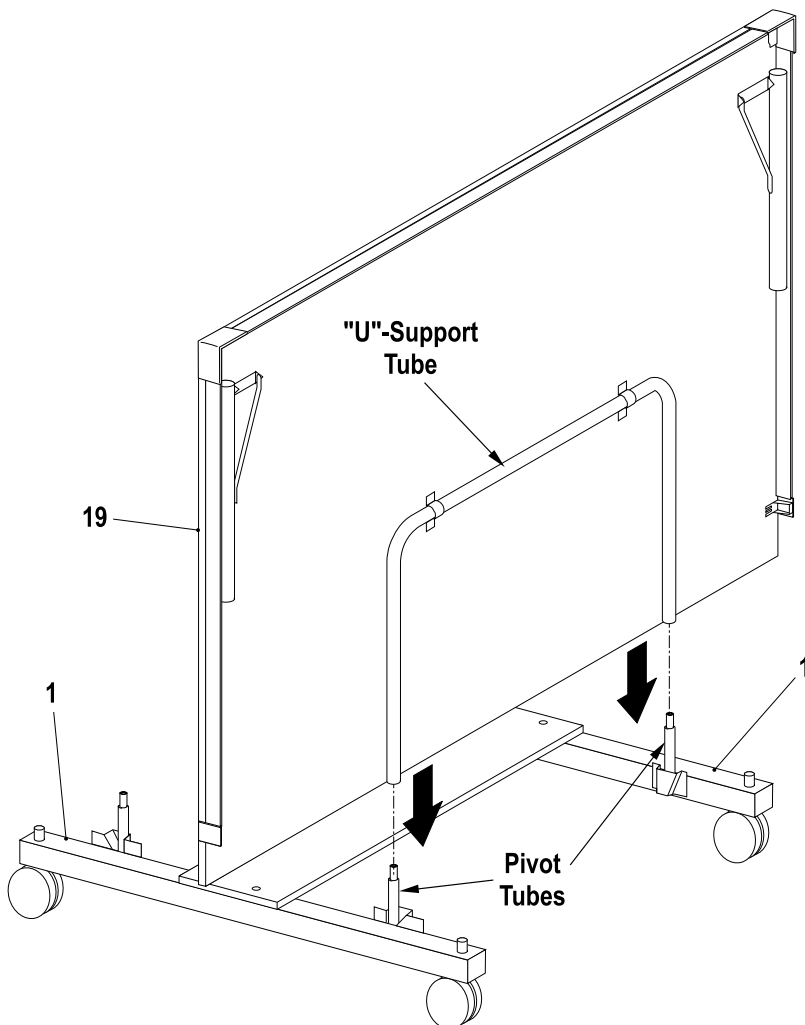


Figure 1

1. Attach wood bottom board (#2) to caster rails (#1) as shown in Figure 1. Turn caster rail as shown with pivot tubes toward inside, and attach board (#2) with four carriage bolts (#3) and four wing nuts (#4). Tighten wing nuts securely.

Figure 2



⚠ WARNING:

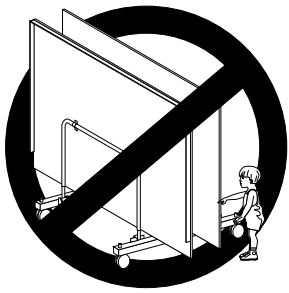
AT LEAST TWO (2) ADULTS ARE NEEDED TO COMPLETE THE REST OF THIS ASSEMBLY! WHEN ASSEMBLING TOPS TO BASE, HANDLE TOP ASSEMBLIES BY GRASPING ONLY THE TOPS THEMSELVES. DO NOT GRASP METAL LEGS, U-SUPPORT, LINKAGE, OR HINGES. THESE PARTS CAN MOVE AND COULD PINCH FINGERS OR HANDS CAUSING SERIOUS INJURY! ASSEMBLE AS SHOWN WITH LEGS FULLY CLOSED AND TOPS IN A VERTICAL POSITION. DO NOT OPEN LEGS AND TRY TO ASSEMBLE. TABLE TOPS ARE HEAVY - DO NOT ATTEMPT TO ASSEMBLE ALONE!

2. Attach table top (#19) to table base that you just assembled, as shown in Figure 2. With at least one adult on each side of table top (#19), lift top and align ends of "U"-support tube with top of pivot tubes on caster rails (#1). Slide tubes together.
3. With two adults, put other table top onto other pivot tubes following instructions in step 2.

⚠ WARNING:

DO NOT OPEN THE TABLE TO PLAYING POSITION UNTIL BOTH TOPS ARE INSTALLED! DO NOT LEAVE TABLE STANDING UNATTENDED. IT COULD BE KNOCKED OVER CAUSING SERIOUS BODILY INJURY OR PROPERTY DAMAGE.

OPENING AND CLOSING INSTRUCTIONS

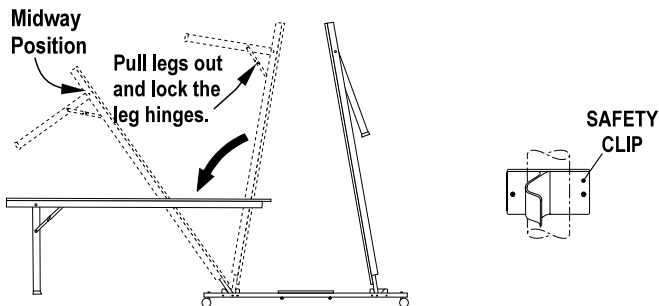


! CAUTION:

EXERCISE CAUTION IN OPENING/CLOSING TABLE. SMALL CHILDREN, OR CHILDREN NOT PROPERLY INSTRUCTED IN ITS USE, MUST NOT BE ALLOWED TO OPEN/CLOSE TABLE. IMPROPER HANDLING AND MISUSE CAN RESULT IN SERIOUS INJURY OR DAMAGE. DO NOT CLIMB, STAND, OR JUMP ON TABLE. MOISTURE AND CONDENSATION WILL DAMAGE PLAYING SURFACE OF THIS TABLE. STORE IN DRY, INDOOR PLACE.

TO OPEN:

1. Open legs on one table half and lock both leg hinges.
2. Hold center of top edge. Gently pull outward to midway position. Continue to pull until disengaged from safety clips and legs rest on the floor. Do not leave table partially opened at midway position. See Figure 3.



PLAYBACK POSITION

Figure 3

3. Open legs of second table half and lock both hinges as with the first half.
4. Lower second top as described in step 2.
5. Lock all four center hinges. See Figure 4.

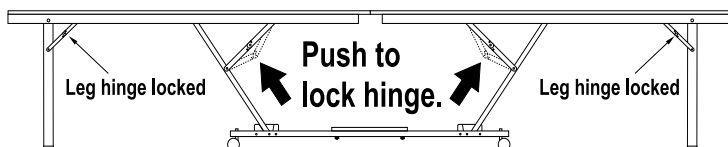


Figure 4

6. Secure net posts to center of table and slide net down over posts. See Figure 5.

NOTE: Net will be tight. It will be necessary to stretch net. This will insure proper net tension.

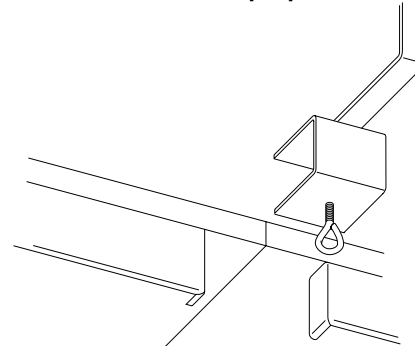
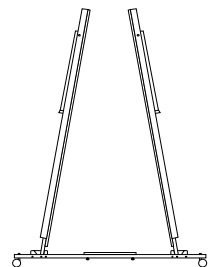


Figure 5

TO CLOSE:

1. Remove net and net posts from table.
2. Unlock all four center hinges. See Figure 4.
3. Lift one table half to midpoint until the safety clips are engaged. Then continue lifting until closed.
4. Unlock leg hinges on this half and fold legs against top.
5. Raise other table half in the same manner.



STORAGE POSITION

Figure 6

! WARNING!

DO NOT LIFT TABLE BY THE TABLE TOPS! TABLE IS NOT FASTENED TO BASE AND CAN COME LOOSE, CAUSING PERSONAL INJURY OR PROPERTY DAMAGE!

IF TRANSPORTATION OTHER THAN ROLLING IS NECESSARY, HAVE ONE ADULT ON EACH END OF ONE TABLE HALF LIFT IT UP, DISASSEMBLING IT FROM THE LOWER PART OF THE UNIT. THEN REMOVE OTHER TABLE HALF. MOVE UNIT IN THREE OR FOUR PIECES AND REASSEMBLE.



ONE YEAR LIMITED WARRANTY

This consumer warranty extends to the original consumer purchase of any ESCALADE® SPORTS Product (hereinafter referred as the "Product").

WARRANTY DURATION: This Product is warranted to the original consumer purchase of a period of one (1) year from the original purchase.

WARRANTY COVERAGE: ESCALADE SPORTS warrants to the original Consumer Purchaser that any Product of its manufacture is free from defects in material and workmanship when used for the intended purpose under normal use and conditions. THIS WARRANTY IS VOID IF THE PRODUCT HAS BEEN DAMAGED BY ACCIDENT, UNREASONABLE USE, NEGLIGENCE, IMPROPER SERVICE, FAILURE TO FOLLOW INSTRUCTIONS PROVIDED WITH THE PRODUCT OR OTHER CAUSES NOT ARISING OUT OF DEFECTS IN MATERIAL AND WORKMANSHIP.

WARRANTY PERFORMANCE: During the above one (1) year warranty period, ESCALADE SPORTS shall repair or replace with a comparable model, and Product, or component thereof, which may prove defective under normal use and proper care, and which our examination shall disclose to our satisfaction to be thus defective, please contact our Warranty Dept.

1-800-426-1421 / Warranty Dept.

Or Write us at:

Escalade® Sports, Inc. - P.O. Box 889, Evansville, IN 47706 - Attn: Warranty Dept.

Or E-mail us at:

customerservice@escaladesports.com

Other than shipping requirements no charge will be made for such repair or replacement of in-warranty Products. ESCALADE® SPORTS strongly recommends that the Product is insured for value prior to mailing.

WARRANTY DISCLAIMERS: ANY IMPLIED WARRANTIES ARISING OUT OF THIS SALE, INCLUDING BUT NOT LIMITED TO THE IMPLIED WARRANTIES OF MERCHANTABILITY AND FITNESS FOR A PARTICULAR PURPOSE, ARE LIMITED IN DURATION TO THE ABOVE ONE (1) YEAR WARRANTY PERIOD. ESCALADE® SPORTS SHALL NOT BE LIABLE FOR LOSS OF USE OF THE PRODUCT OR OTHER CONSEQUENTIAL OR INCIDENTAL COSTS, EXPENSES OR DAMAGES INCURRED BY THE CONSUMER OF ANY OTHER USE.

Some states do not allow the exclusion or limitation of implied warranties or consequential or incidental damages, so the above limitations or exclusions may not apply to you.

LEGAL REMEDIES: This warranty gives you specific legal rights and you may also have other rights which may vary from state to state.

CARE AND MAINTENANCE

You have purchased a quality product that will give you years of enjoyment. By following these simple maintenance steps, you will add to the life of your new table.

THE TABLE TOP

The top (playing surface) of your table is made of particle board. Like all products made of wood, it can be affected by atmospheric changes in both temperature and humidity. This may cause a slight sag or distortion as the top expands or contracts. This is normal and should not cause concern as it does not detract from the play or utility value of the table. After assembly of the table, you can minimize the effects of temperature and humidity changes by storing the table in the folded up position in a dry area when table is not in use.

STORAGE OF YOUR TABLE

This table must be stored indoors to prevent damage to the playing surface. Dampness and extreme temperature changes can cause the wood to warp, swell, crack or blister. When your table is not in use, it should be folded up in a dry area. Due to the nature of particle board, table top may bow. Damp and humid conditions will amplify this. This is normal and will not affect playability of table.

CLEANING YOUR TABLE

To clean your table use a soft, damp (NOT WET) cloth only. To prevent damage to your table's playing surface, DO NOT USE ANY CHEMICALS, ABRASIVE OR CLEANING PRODUCTS on your table's playing surface.

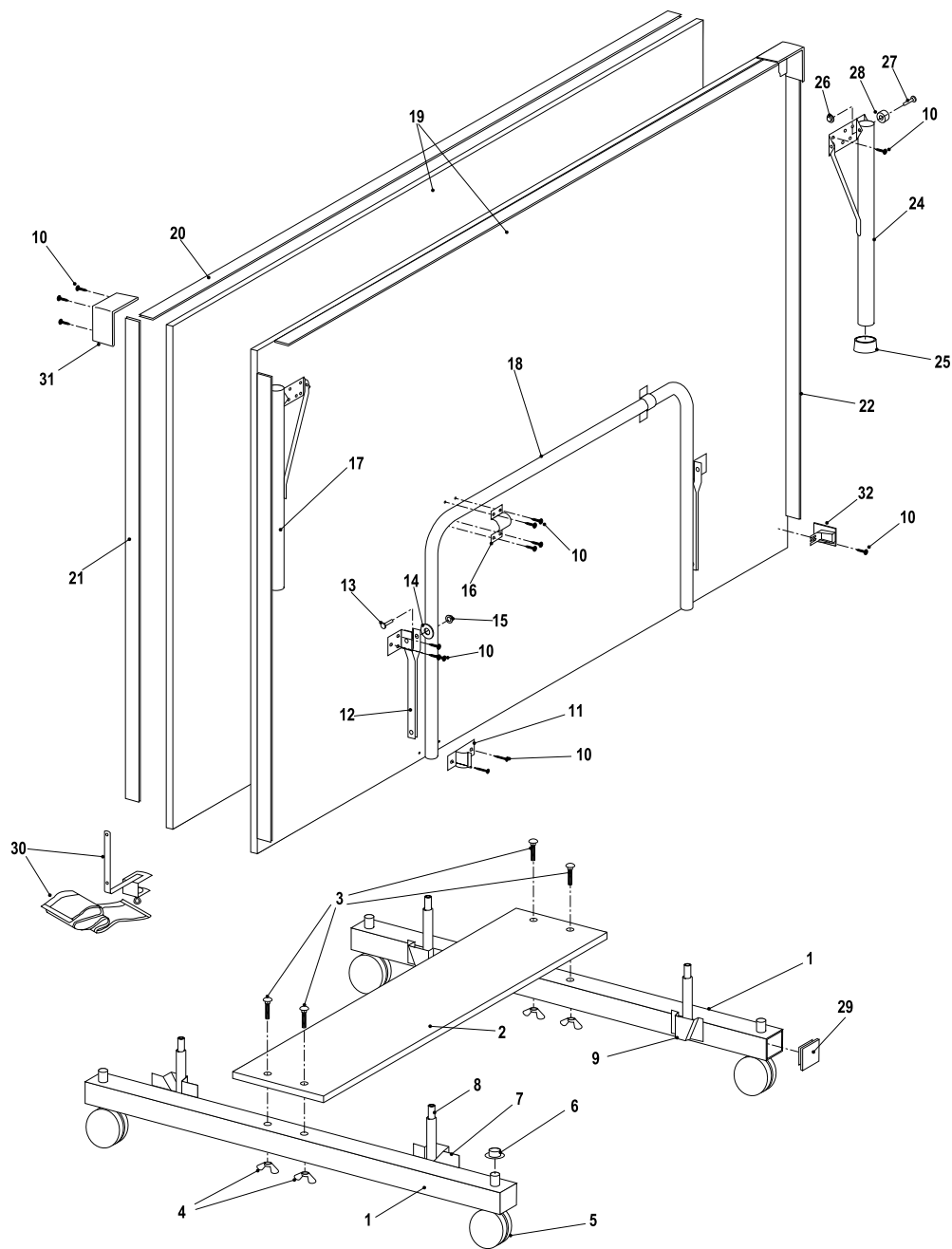
MAINTENANCE OF YOUR TABLE

Be sure to oil all moving parts of your table including the pivot points. This will insure the safety and ease of use of your table.

This table must be kept indoors to prevent damage to the playing surface. Dampness and extreme temperature changes which occur on patios or similar areas can cause wood to warp, swell, crack or blister.

UNLEVEL FLOORS

If table does not seem level, it is probably due to uneven or unlevel floors. Set the table in its PLAYING POSITION and move table several inches in different directions to find the best location for the table. If the floor is extremely unlevel, table may not play or operate properly. If table is high in the center, shim up under the outer U-legs.



Replacement Parts List for Model Numbers T8267, T8167 & T8180

2L-6603-03

Key#	T8267 & T8167	T8180	Description	Qty.
1	4A-6343-01	4A-5324-03	Caster Rail Assembly	2
	8S-6421-02	8S-4066-13	Caster Rail only	2
2	2W-6215-02	2W-4163-01	Bottom Board	1
3	1B-6468-00	1B-4078-00	1/4-20 x 2-1/4" Carriage Bolt	4
4	2B-6082-00	2B-6082-00	1/4-20 Wing Nut	4
5	2Q-6093-00	2Q-6093-00	2" Double Wheel Caster	4
6	2B-6085-00	2B-6085-00	5/16 Palnut	4
7	2S-6278-01	2S-6278-01	RH Pivot Bracket	2
8	8S-6418-02	8S-6451-13	Pivot Tube	4
9	2S-6279-01	2S-6279-01	LH Pivot Bracekt	2
10	701-105	701-105	#8 x 9/16 SMS	140
11	3M-6273-00	3M-6273-00	Plastic Clip	4
12	4A-6336-00	4A-6336-00	Hinge / Bracket Assembly	4
13	3B-6013-00	3B-6013-00	1/4 x 1-3/8 Rivet	4
14	2B-6087-00	2B-6087-00	Nylon Washer	4
15	501-24	501-24	1/4" Palnut	4

Key#	T8267 & T8167	T8180	Description	Qty.
16	2S-6387-01	2S-6387-01	U Clip	4
17	1A-6227-02	1A-6227-03	Leg Assembly - LH	2
18	8S-6420-02	8S-6420-04	U Support	2
19	4A-6507-00	4A-5393-00	Half Top	2
20	2S-6374-00	2S-6374-07	End Rail	2
21	2S-6389-00	2S-6389-02	Right Side Rail	4
22	2S-6390-00	2S-6390-02	Left Side Rail	4
24	1A-6226-02	1A-6226-03	Leg Assembly - RH	2
25	504-13	504-13	Leg Cap	4
26	701-115B	701-115B	Push Nut	4
27	701-198	701-198	3/16 Rivet	4
28	704-121	704-121	Spacer	4
29	3M-6085-00	3M-6085-00	1" Square Tube Plug	4
30	5A-6700-00	5A-6700-00	Net & Post Kit	1
31	3M-6483-00	3M-6483-00	Corner Protector	4
32	3M-6484-00	3M-6484-00	Side Protector	4