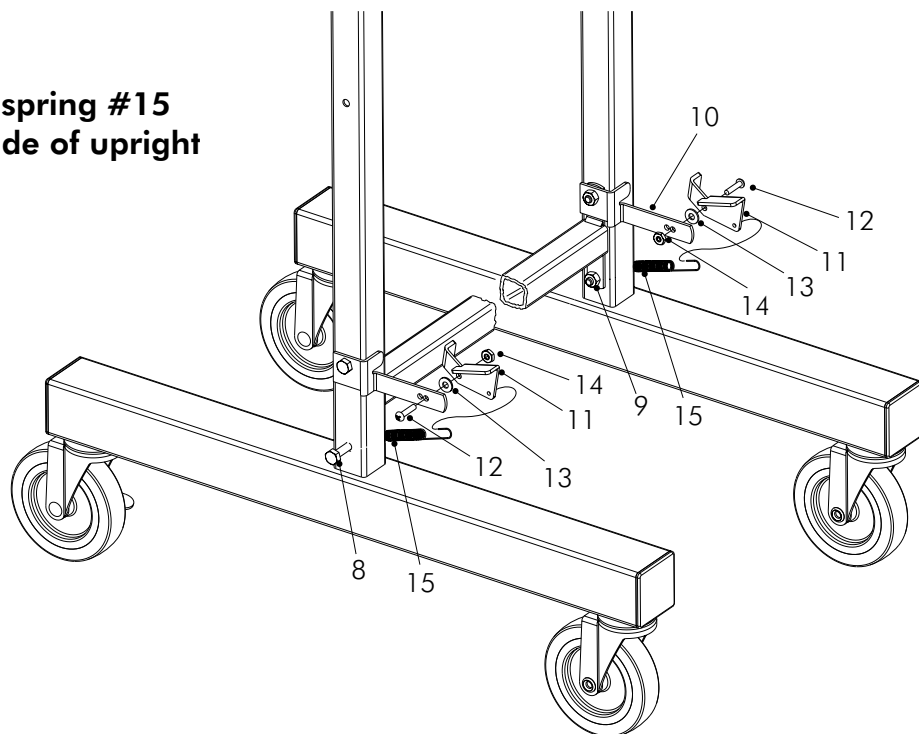


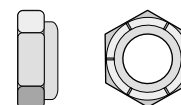
# Addendum to Instructions for T8104

In step #7 of the owners manual spring #15 should be installed on opposite side of upright tube from bracket #10.



In step #13 of the owners manual use the thinner zinc colored nuts, provided in the separate kit, in place of locknut #9.

In step #16 of the owners manual use the thinner zinc colored nuts, provided in the separate kit, in place of locknut #9.



On page 7 of the owners manual the hardware identifier incorrectly identifies the bolt shown below as #20. It should be part #21.

